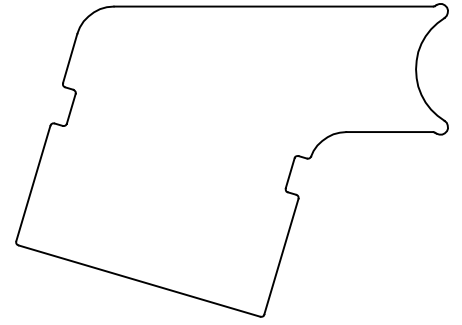


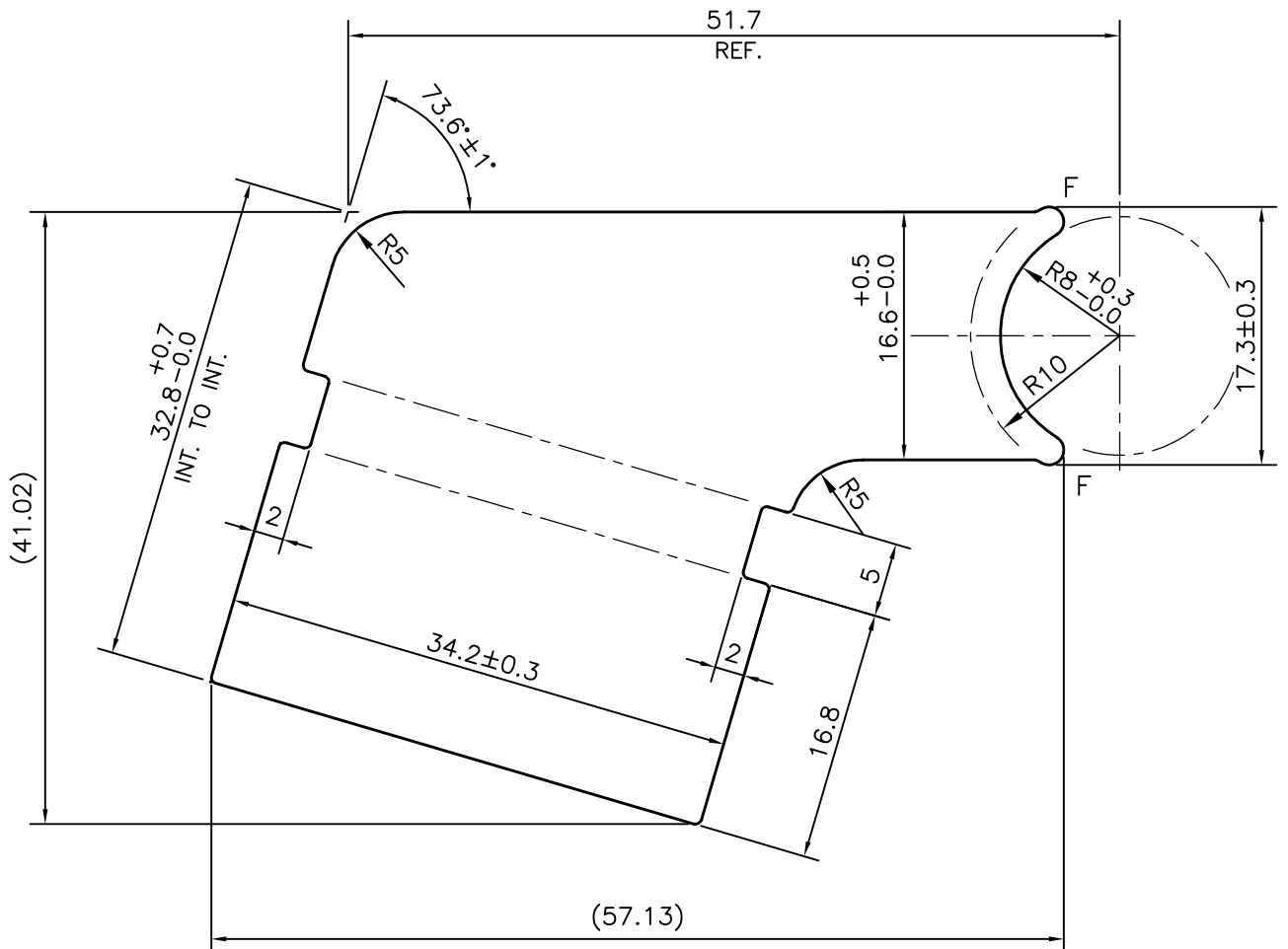
P-11768-2

S3291

28059



SCALE :- 1:1



F = FULL RADIUS (2 PLACES)



SYMBOL OF QUALITY
AN ISO 9001 COMPANY

JINDAL ALUMINIUM LTD.
BANGALORE-560073 (INDIA)

	NAME	DATE
DRAWN	PARVESH	30-05-2012
CHECKED		
APPROVED	J.N.RAI	01-06-2012
SCALE		2:1
AREA mm ²		1476.304
PERIMETER mm.		181.484
WEIGHT kg/m		3.986
DRAWING No.	SECTION No.	
P-11768-2	-	
S3291	S3291	
28059	28059	

1. ALL DIMENSIONS ARE IN mm.
2. ROUND OFF ALL SHARP CORNERS WITH 0.40 mm.
3. TOLERANCES WILL BE AS PER IS:3965-1981, UNLESS OTHERWISE SPECIFIED

PARTY'S NAME	PRECISION COMPONENTS INDIA, MOHALI
PARTY'S DRAWING No.	92484 3VDIA-N-CONN O-RING OUT
ALLOY & TEMPER	6063 T6
DESCRIPTION	AUTOMOBILE SECTION