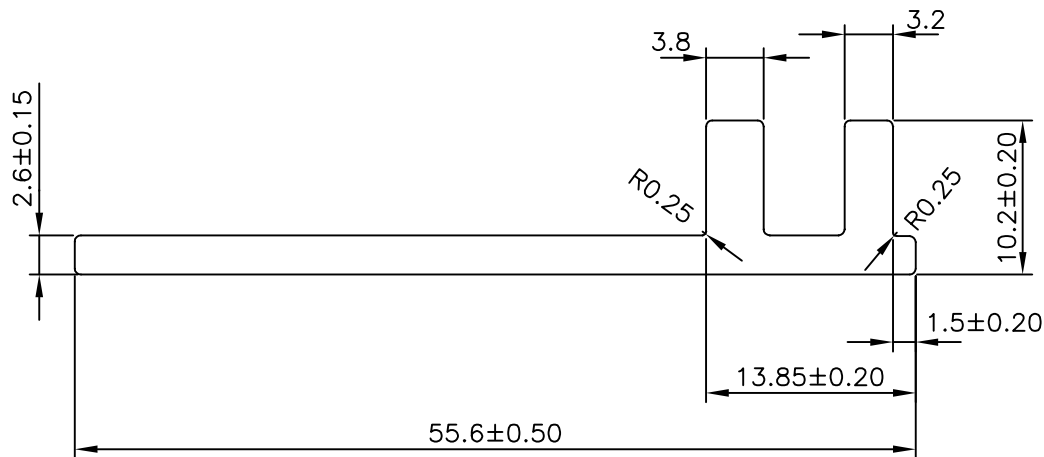
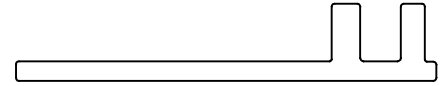


P-11311-1

S3096

28060



SYMBOL OF QUALITY
AN ISO 9001 COMPANY

JINDAL ALUMINIUM LTD.
BANGALORE-560073 (INDIA)

	NAME	DATE
DRAWN	J.P.KAUSHIK	10-11-2011
CHECKED		
APPROVED	S.S.GARG	11-11-2011
SCALE		2:1
AREA mm ²		197.491
PERIMETER mm.		144.869
WEIGHT kg/m		0.533
DRAWING No.		SECTION No.

1. ALL DIMENSIONS ARE IN mm.
2. ROUND OFF ALL SHARP CORNERS WITH 0.40 mm.
3. TOLERANCES WILL BE AS PER, BS:EN-755-9 UNLESS OTHERWISE SPECIFIED

PARTY'S NAME	MARVEL MECHATRONICS PVT. LTD., CHENNAI	P-11311-1	-
PARTY'S DRAWING No.	B12-280-04 REV4	S3096	S3096
ALLOY & TEMPER	6005 T6	28060	28060
DESCRIPTION	MISC. SECTION		