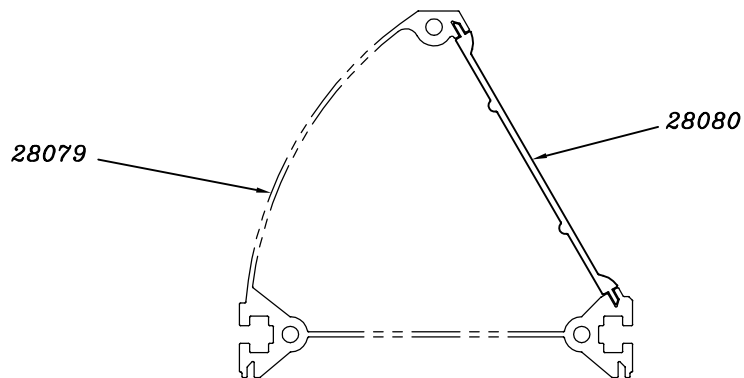
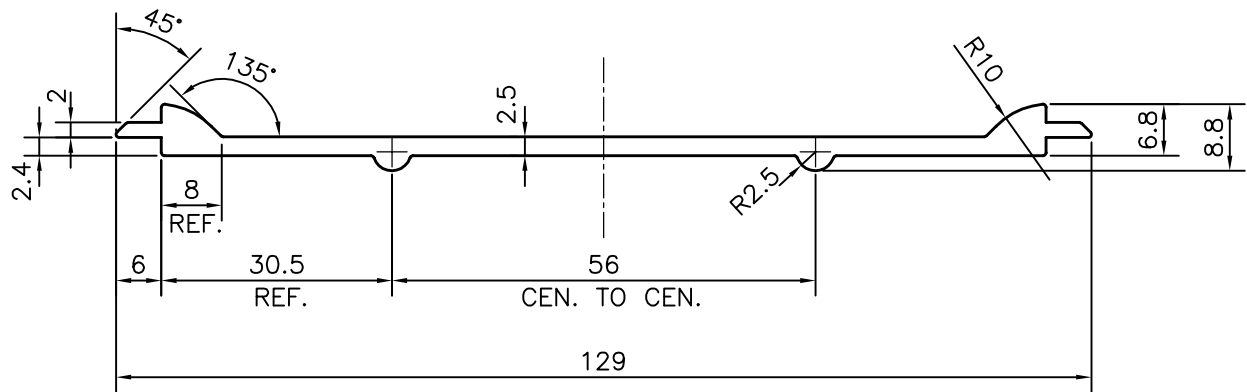


P-11565

S3197

28080



SYMBOL OF QUALITY
AN ISO 9001 COMPANY

JINDAL ALUMINIUM LTD.
BANGALORE-560073 (INDIA)

	NAME	DATE
DRAWN	PARVESH	16-02-2012
CHECKED		
APPROVED	S.S. GARG	18-02-2012

1. ALL DIMENSIONS ARE IN mm.
2. ROUND OFF ALL SHARP CORNERS WITH 0.40 mm.
3. TOLERANCES WILL BE AS PER IS:3965-1981, UNLESS OTHERWISE SPECIFIED

SCALE	1:1
AREA mm ²	375.264
PERIMETER mm.	275.053
WEIGHT kg/m	1.013

PARTY'S NAME	CONFIDENT DENTAL EQUIPMENT LTD., BANGALORE
PARTY'S DRAWING No.	PC354103
ALLOY & TEMPER	HE9 WP
DESCRIPTION	MISC. SECTION

DRAWING No.	SECTION No.
P-11565	-
S3197	S3197
28080	28080