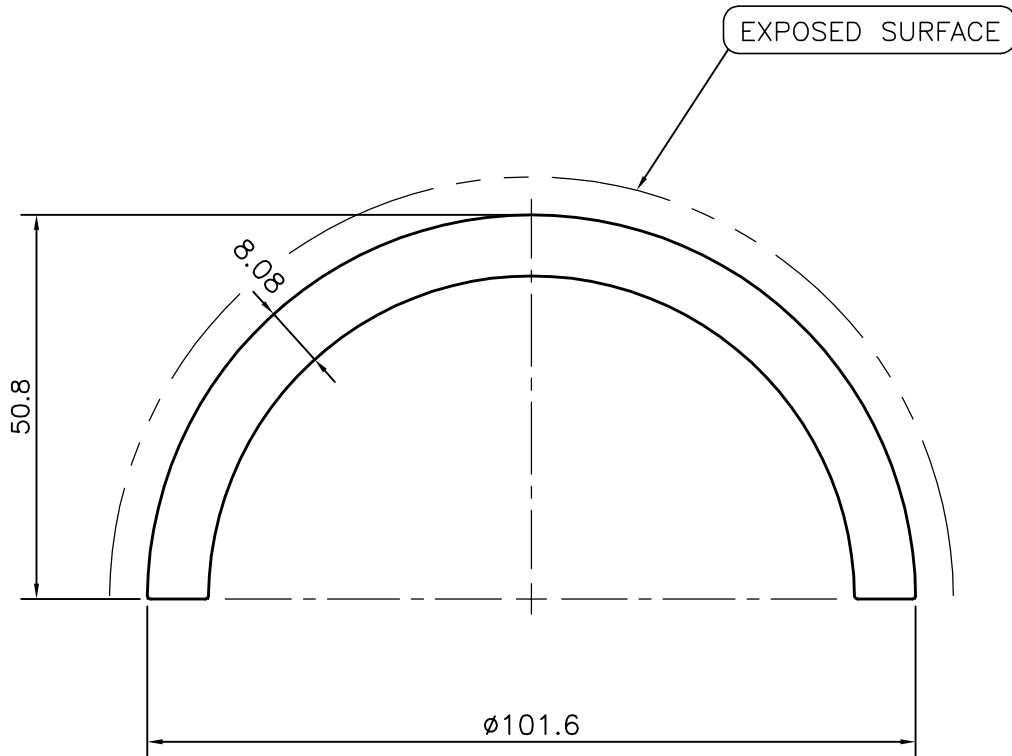


P-11641

S3248

28097



SYMBOL OF QUALITY  
AN ISO 9001 COMPANY

**JINDAL ALUMINIUM LTD.**  
BANGALORE-560073 (INDIA)

	NAME	DATE
DRAWN	PARVESH	05-04-2012
CHECKED		
APPROVED	S.S.GARG	06-04-2012
SCALE		1:1
AREA mm <sup>2</sup>		1186.822
PERIMETER mm.		309.276
WEIGHT kg/m		3.204
DRAWING No.	SECTION No.	
P-11641	-	
S3248	S3248	
28097	28097	

1. ALL DIMENSIONS ARE IN mm.
2. ROUND OFF ALL SHARP CORNERS WITH 0.40 mm.
3. TOLERANCES WILL BE AS PER IS:3965-1981, UNLESS OTHERWISE SPECIFIED

PARTY'S NAME	GLOBAL INSULATION & MARINE SUPPLIERS, SURAT
PARTY'S DRAWING No.	AS PER DRAWING
ALLOY & TEMPER	6082 T5
DESCRIPTION	HALF ROUND PROFILE