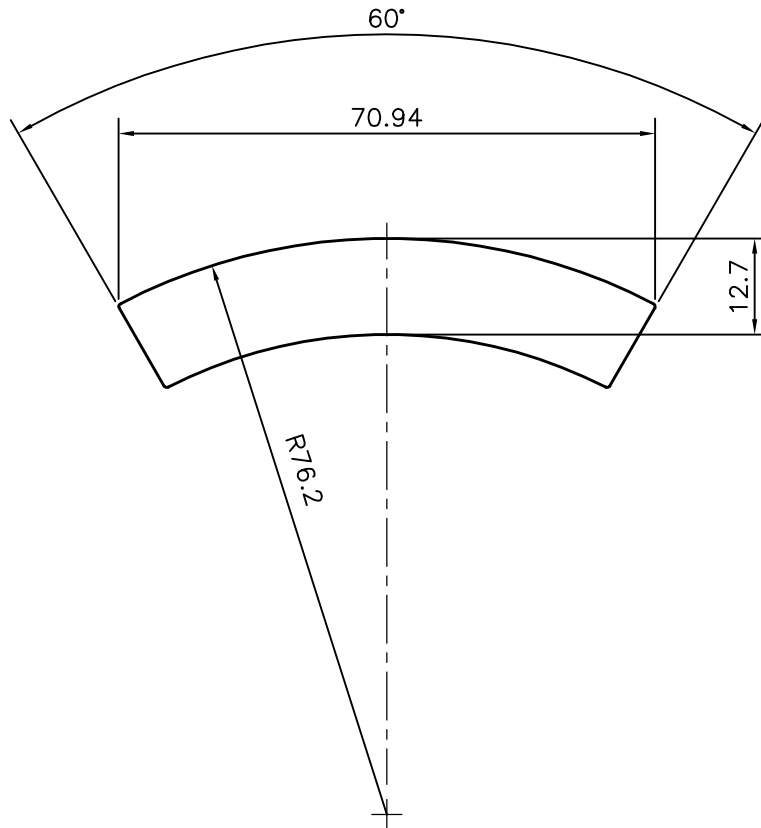



P-11739
S3265
28109



 SYMBOL OF QUALITY AN ISO 9001 COMPANY	JINDAL ALUMINIUM LTD. BANGALORE-560073 (INDIA)		NAME	DATE
		DRAWN	J.P.KAUSHIK	03-05-2012
1. ALL DIMENSIONS ARE IN mm. 2. ROUND OFF ALL SHARP CORNERS WITH 0.40 mm. 3. TOLERANCES WILL BE AS PER,IS:3965-1981 UNLESS OTHERWISE SPECIFIED		CHECKED		
		APPROVED	S.S.CARG	10-05-2012
PARTY'S NAME BEL MARK INDUSTRIES AHMEDABAD		SCALE		1:1
		AREA mm ²		856.973
PARTY'S DRAWING No. AS PER DRAWING		PERIMETER mm.		159.715
		WEIGHT kg/m		2.314
ALLOY & TEMPER HE9 WP		DRAWING No.	SECTION No.	
		P-11739	-	
DESCRIPTION MISC. SECTION		S3265	S3265	
		28109	28109	