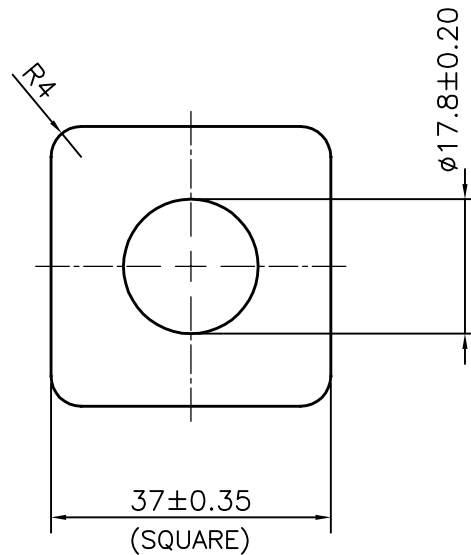


P-11556

S3225

28111



SYMBOL OF QUALITY
AN ISO 9001 COMPANY

JINDAL ALUMINIUM LTD.
BANGALORE-560073 (INDIA)

	NAME	DATE
DRAWN	PARVESH	09-02-2012
CHECKED		
APPROVED	S.S.GARG	19-03-2012
SCALE		1:1
AREA mm ²		1106.42
PERIMETER mm.		141.133
WEIGHT kg/m		2.987
DRAWING No.	SECTION No.	
P-11556	-	
S3225	S3225	
28111	28111	

1. ALL DIMENSIONS ARE IN mm.
2. ROUND OFF ALL SHARP CORNERS WITH 0.40 mm.
3. TOLERANCES WILL BE AS PER BS:EN-755-9, UNLESS OTHERWISE SPECIFIED

PARTY'S NAME	SOURIAU INDIA PVT. LTD., COIMBATORE
PARTY'S DRAWING No.	VGE1-1085A
ALLOY & TEMPER	6061 T6
DESCRIPTION	MISC. SQUARE TUBE