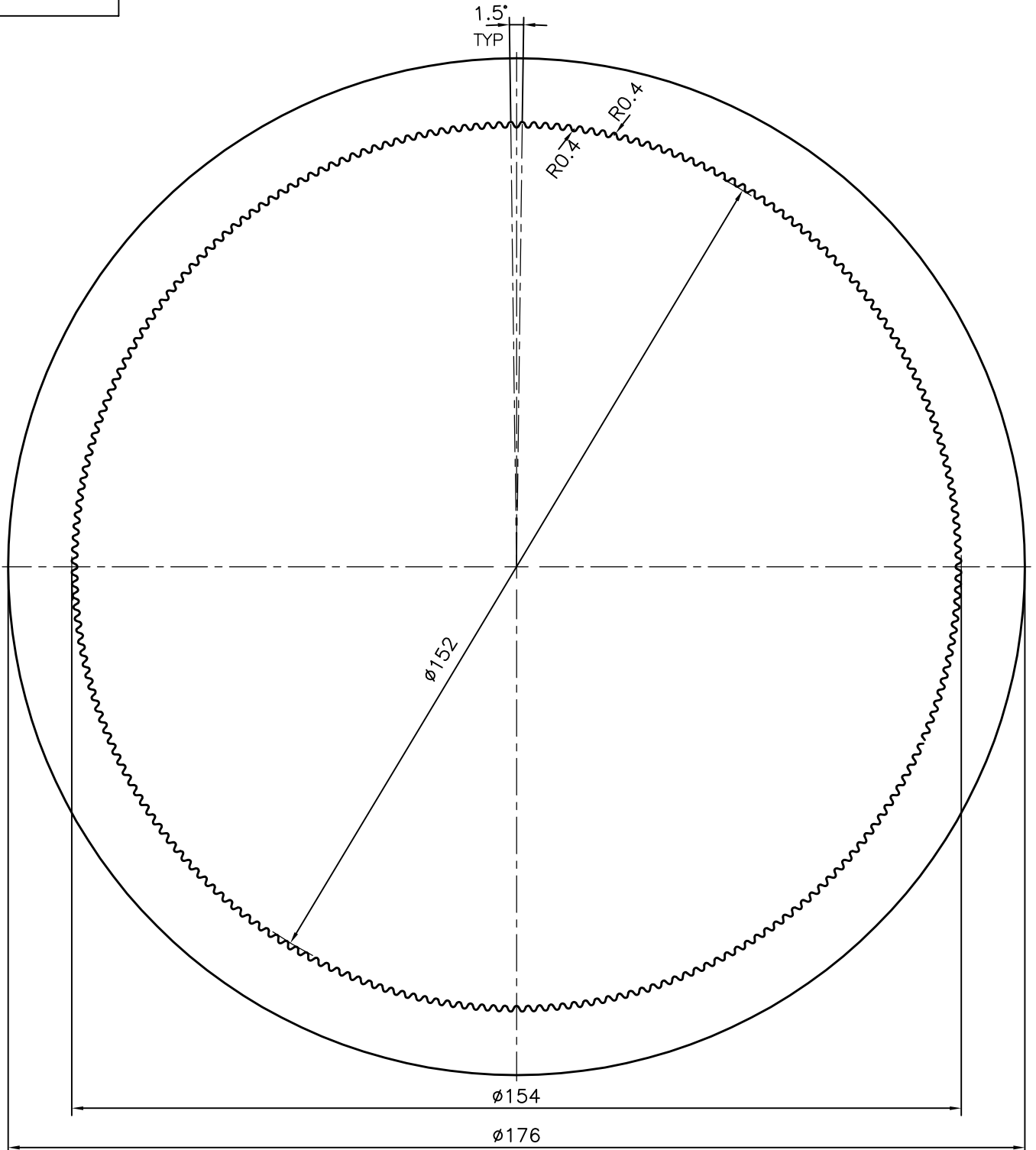


P-13713-1

28119

OVALITY:  $-\pm 2.5\text{mm}$



SYMBOL OF QUALITY  
AN ISO 9001 COMPANY

**JINDAL ALUMINIUM LTD.**  
BANGALORE-560073 (INDIA)

	NAME	DATE
DRAWN	J.P.KAUSHIK	19-07-2014
CHECKED		
APPROVED	S.S.GARG	06-08-2014
SCALE		1:1
AREA mm <sup>2</sup>		5943.274
PERIMETER mm.		552.92
WEIGHT kg/m		16.047
DRAWING No.	SECTION No.	
P-13713-1	-	
28119	28119	

1. ALL DIMENSIONS ARE IN mm.
2. ROUND OFF ALL SHARP CORNERS WITH 0.40 mm.
3. TOLERANCES WILL BE AS PER IS:2673-2002, UNLESS OTHERWISE SPECIFIED

PARTY'S NAME	GENERAL CATEGORY, MUMBAI MARKET
PARTY'S DRAWING No.	AS PER DRAWING & REQUIREMENT
ALLOY & TEMPER	HE9 WP
DESCRIPTION	MISC. TUBE