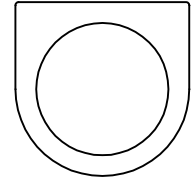


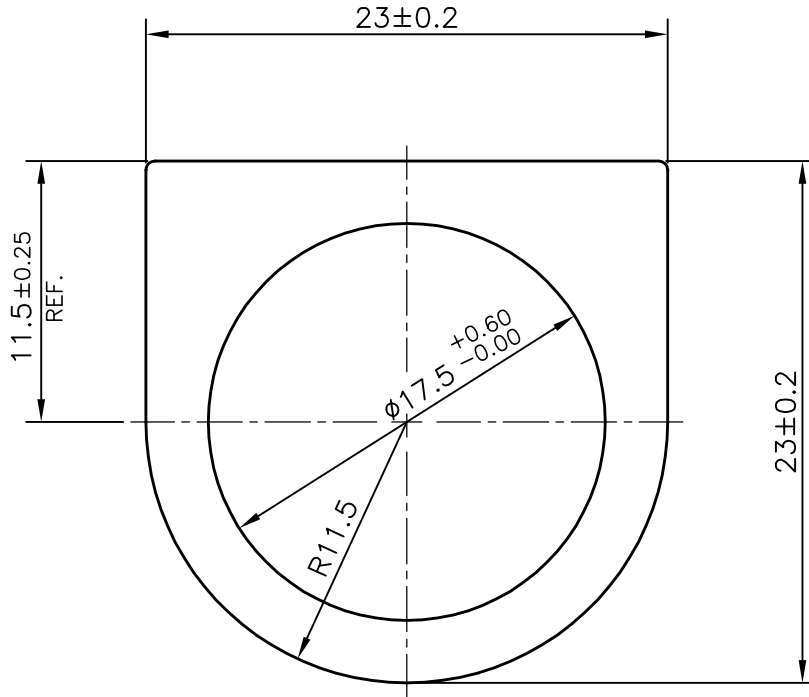
P-11705-1

S3358

28121



SCALE: - 1:1



SYMBOL OF QUALITY
AN ISO 9001 COMPANY

JINDAL ALUMINIUM LTD.
BANGALORE-560073 (INDIA)

	NAME	DATE
DRAWN	PARVESH	16-06-2012
CHECKED		
APPROVED	S.S.GARG	27-06-2012
SCALE		3:1
AREA mm ²		231.641
PERIMETER mm.		81.785
WEIGHT kg/m		0.625
DRAWING No.	SECTION No.	
P-11705-1	-	
S3358	S3358	
28121	28121	

1. ALL DIMENSIONS ARE IN mm.
2. ROUND OFF ALL SHARP CORNERS WITH 0.40 mm.
3. TOLERANCES WILL BE AS PER IS:6477-1983, UNLESS OTHERWISE SPECIFIED

PARTY'S NAME	WONJIN AUTOPARTS INDIA PVT. LTD., MARAMALAI NAGAR
PARTY'S DRAWING No.	VP F720 WBALB 01 000
ALLOY & TEMPER	6061 T6
DESCRIPTION	W201 CONNECTOR