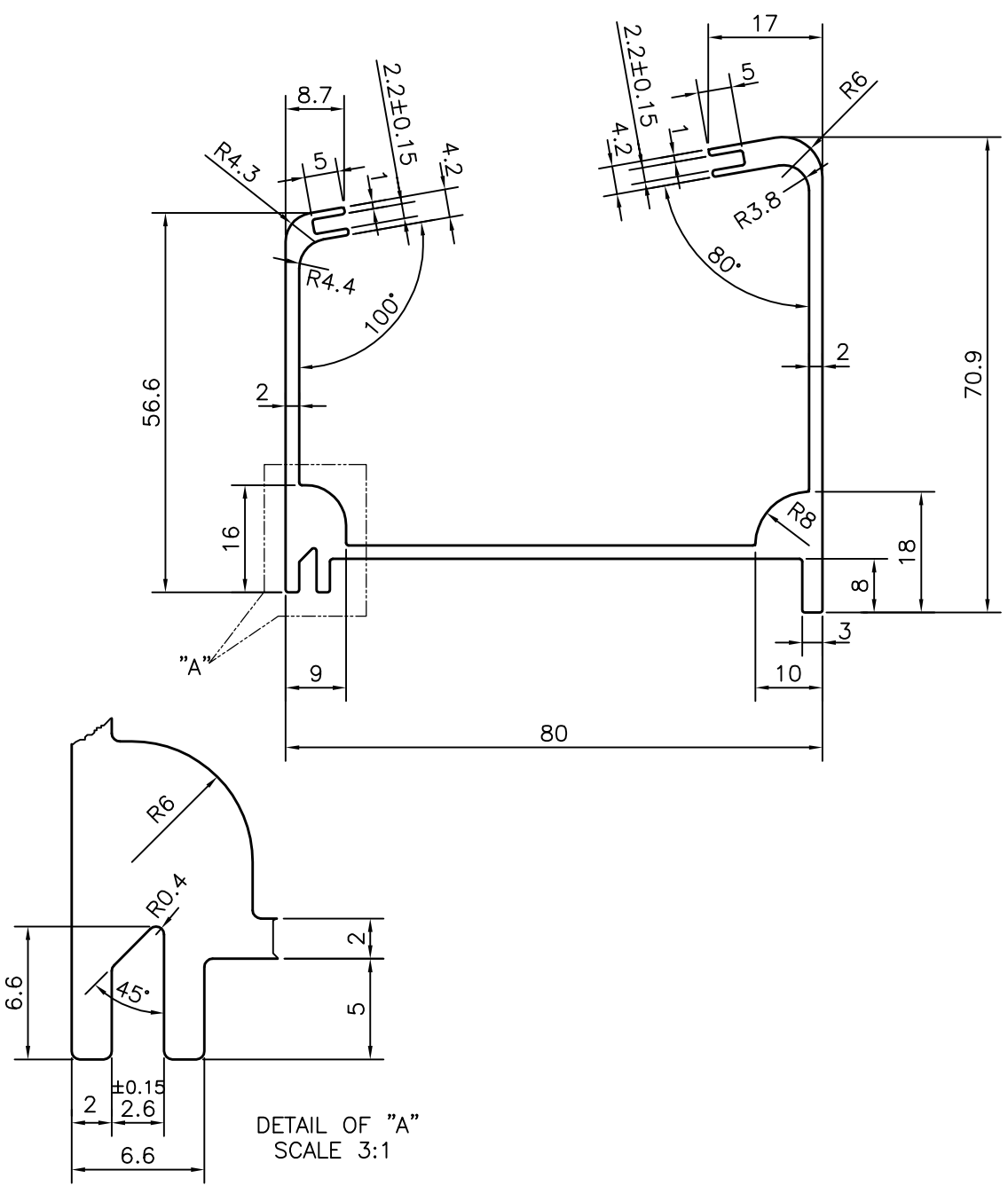


P-11919-1
 S3418
 28129



DETAIL OF "A"
 SCALE 3:1



JINDAL ALUMINIUM LTD.
 BANGALORE-560073 (INDIA)

| | NAME | DATE |
|----------------------|-------------|------------|
| DRAWN | J.P.KAUSHIK | 23-07-2012 |
| CHECKED | | |
| APPROVED | S.S.GARG | 24-07-2012 |
| SCALE | | 1:1 |
| AREA mm ² | | 593.051 |
| PERIMETER mm. | | 468.921 |
| WEIGHT kg/m | | 1.601 |
| DRAWING No. | SECTION No. | |
| P-11919-1 | - | |
| S3418 | S3418 | |
| 28129 | 28129 | |

1. ALL DIMENSIONS ARE IN mm.
2. ROUND OFF ALL SHARP CORNERS WITH 0.40 mm.
3. TOLERANCES WILL BE AS PER IS:3965-1981 UNLESS OTHERWISE SPECIFIED

| | |
|---------------------|--|
| PARTY'S NAME | CONFIDENT DENTAL EQUIPMENTS LTD., BANGALORE |
| PARTY'S DRAWING No. | PH354101 |
| ALLOY & TEMPER | HE9 WP |
| DESCRIPTION | MISC. SECTION (WALL PANEL FRAME) |