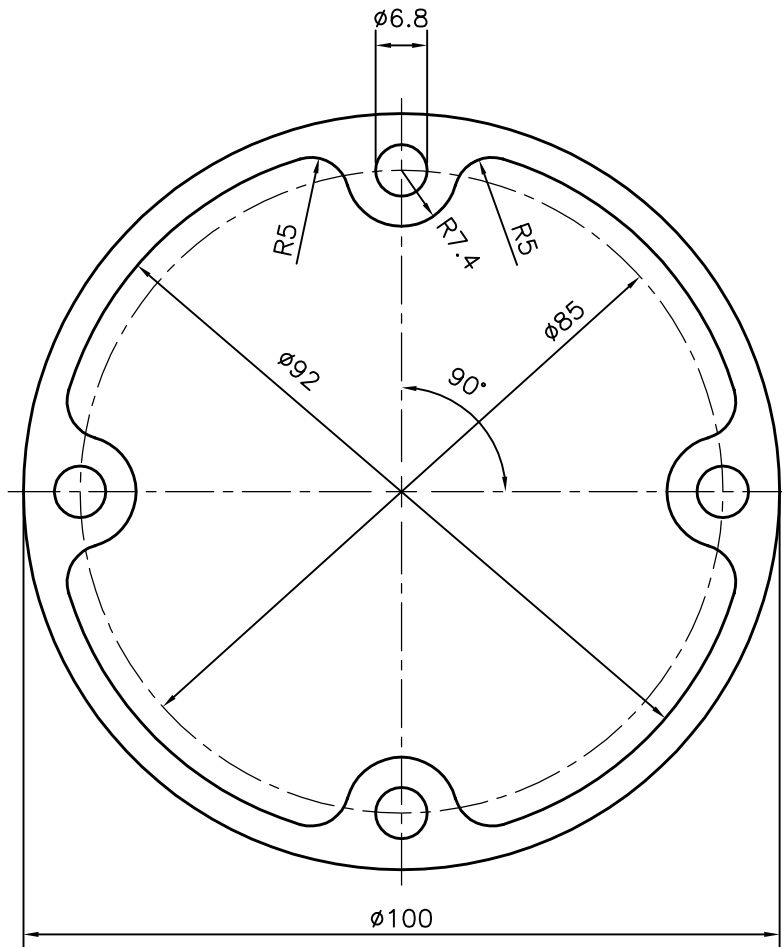


P-11968

S3454

28136



SYMBOL OF QUALITY
AN ISO 9001 COMPANY

JINDAL ALUMINIUM LTD.
BANGALORE-560073 (INDIA)

	NAME	DATE
DRAWN	J.P.KAUSHIK	13-08-2012
CHECKED		
APPROVED	S.S.GARG	22-08-2012
SCALE		1:1
AREA mm ²		1658.737
PERIMETER mm.		314.159
WEIGHT kg/m		4.479
DRAWING No.	SECTION No.	
P-11968	-	
S3454	S3454	
28136	28136	

1. ALL DIMENSIONS ARE IN mm.
2. ROUND OFF ALL SHARP CORNERS WITH 0.40 mm.
3. TOLERANCES WILL BE AS PER,BS:EN-755-9 UNLESS OTHERWISE SPECIFIED

PARTY'S NAME	CONFIDENT DENTAL EQUIPMENTS LTD., BANGALORE
PARTY'S DRAWING No.	PC454107
ALLOY & TEMPER	HE9 WP
DESCRIPTION	MISC. TUBE (PILLER)