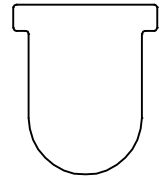


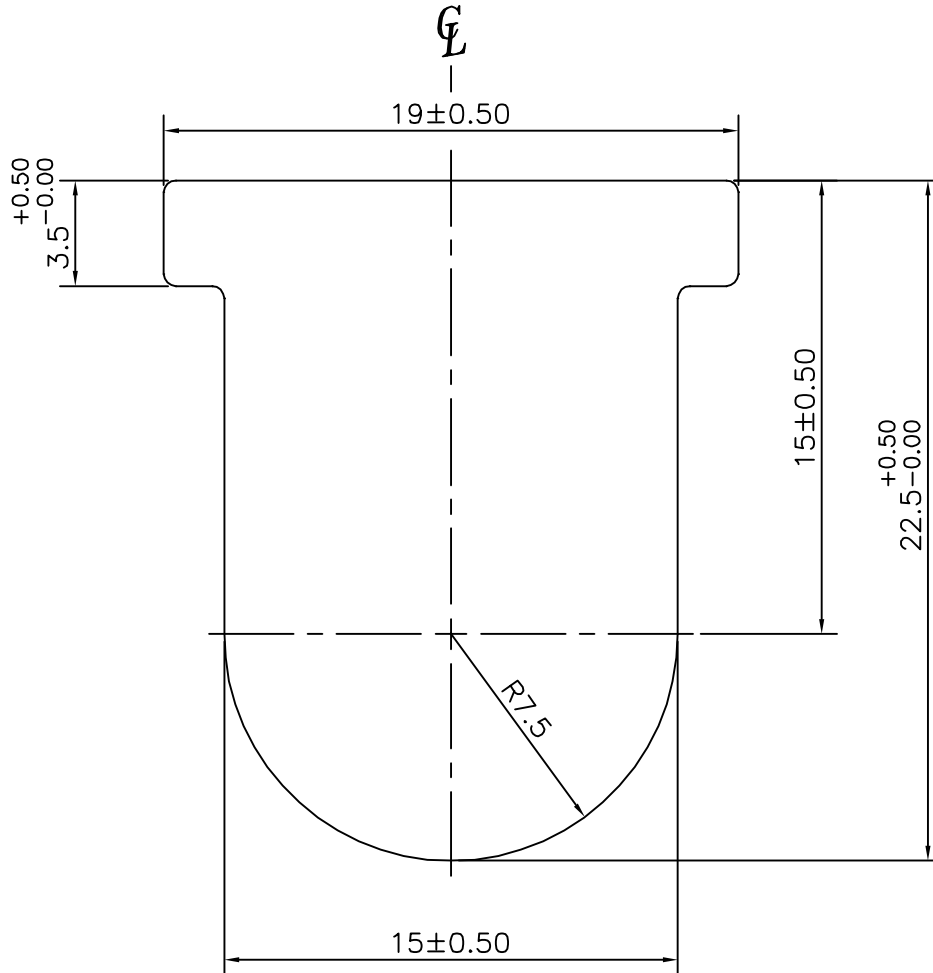
P-12560-1

S3721

28143



SCALE 1:1



SYMBOL OF QUALITY  
AN ISO 9001 COMPANY

**JINDAL ALUMINIUM LTD.**  
BANGALORE-560073 (INDIA)

	NAME	DATE
DRAWN	SRIVATHSA	07-03-2013
CHECKED		
APPROVED	S.S.GARG	27-04-2013
SCALE	4:1	
AREA mm <sup>2</sup>	327.289	
PERIMETER mm.	75.532	
WEIGHT kg/m	0.884	
DRAWING No.	SECTION No.	
P-12560-1	-	
S3721	S3721	
28143	28143	

1. ALL DIMENSIONS ARE IN mm.
2. ROUND OFF ALL SHARP CORNERS WITH 0.40 mm.
3. TOLERANCES WILL BE AS PER IS:3965-1981, UNLESS OTHERWISE SPECIFIED

PARTY'S NAME	GLOBAL AUTOTECH LTD., GREATER NOIDA
PARTY'S DRAWING No.	TC-EX-125-00
ALLOY & TEMPER	6061 T6
DESCRIPTION	TUBE CONNECTOR SECTION