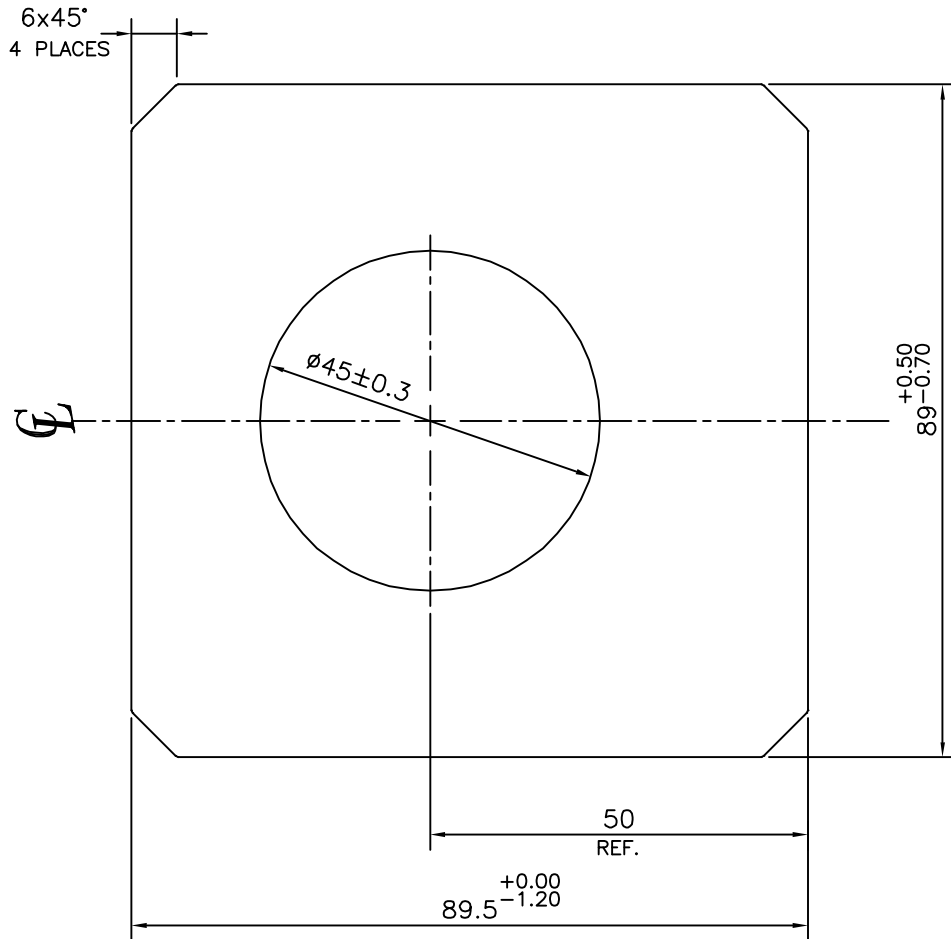



P-12139-1

S3529

28145



 SYMBOL OF QUALITY AN ISO 9001 COMPANY	<b>JINDAL ALUMINIUM LTD.</b> BANGALORE-560073 (INDIA)	DRAWN	NAME	DATE
		CHECKED	PARVESH	02-11-2012
1. ALL DIMENSIONS ARE IN mm. 2. ROUND OFF ALL SHARP CORNERS WITH 0.50 mm. 3. TOLERANCES WILL BE AS PER IS:6477-1983 UNLESS OTHERWISE SPECIFIED		APPROVED	S.S.GARG	02-11-2012
		SCALE		1:1
PARTY'S NAME APPASAMY ASSOCIATES, CHENNAI		AREA	mm <sup>2</sup>	6303.026
		PERIMETER	mm.	342.769
PARTY'S DRAWING No. AS PER DRAWING		WEIGHT	kg/m	17.018
		DRAWING No.		SECTION No.
ALLOY & TEMPER 6061 T6		P-12139-1		-
		S3529		S3529
DESCRIPTION PILLER BOX SECTION		28145		28145