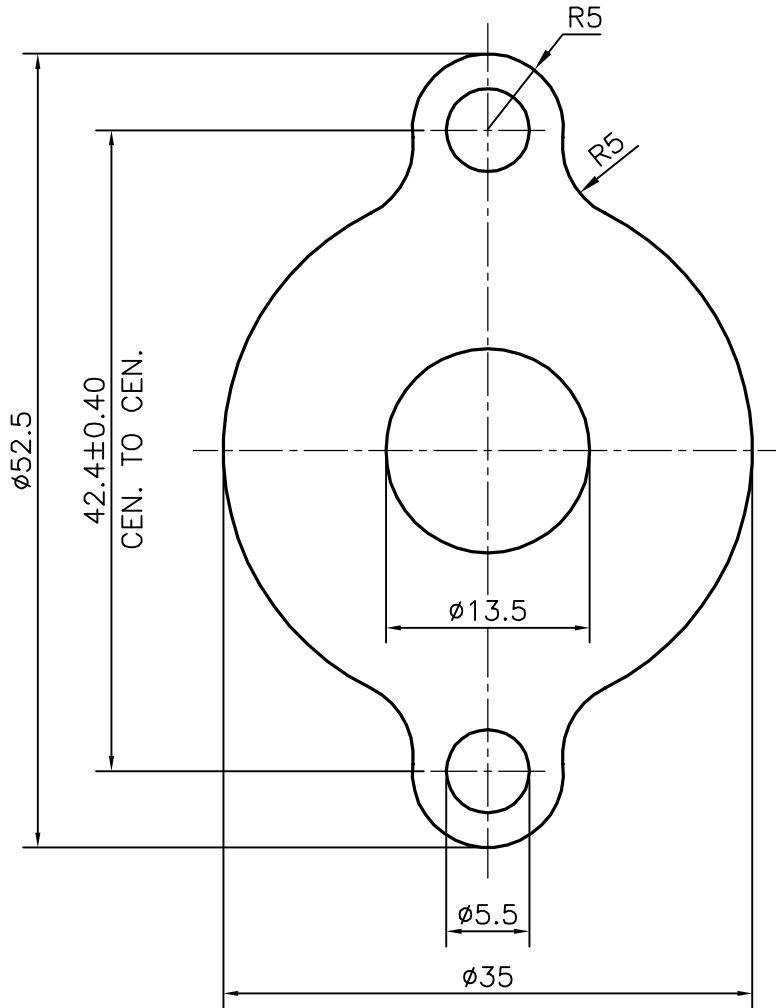
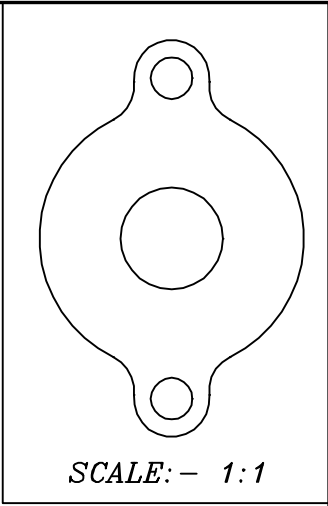


P-12402
S3593
28154



JINDAL ALUMINIUM LTD.
 BANGALORE-560073 (INDIA)

	NAME	DATE
DRAWN	PARVESH	31-12-2012
CHECKED		
APPROVED	S.S.GARG	04-01-2013
SCALE		2:1
AREA	mm ²	936.563
PERIMETER	mm.	135.865
WEIGHT	kg/m	2.529
DRAWING No.	SECTION No.	
P-12402	-	
S3593	S3593	
28154	28154	

1. ALL DIMENSIONS ARE IN mm. 2. ROUND OFF ALL SHARP CORNERS WITH 0.40 mm. 3. TOLERANCES WILL BE AS PER IS:6477-1983, UNLESS OTHERWISE SPECIFIED	
PARTY'S NAME	POLYHYDRON PVT. LTD., BELGAUM
PARTY'S DRAWING No.	P 90116 A
ALLOY & TEMPER	6005 T6
DESCRIPTION	PRESSURE SWITCH SECTION