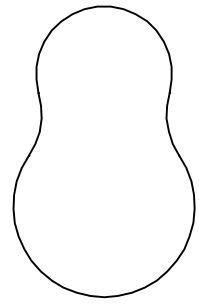


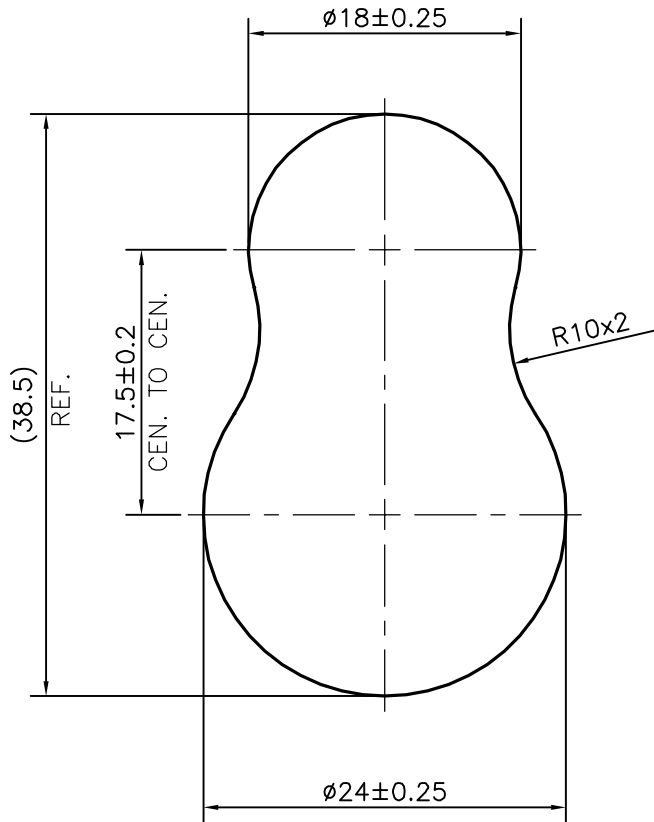
P-12798-1

S3775

28175



SCALE 1:1



SYMBOL OF QUALITY  
AN ISO 9001 COMPANY

**JINDAL ALUMINIUM LTD.**  
BANGALORE-560073 (INDIA)

	NAME	DATE
DRAWN	SRIVATHSA	25-05-2013
CHECKED		
APPROVED	S.S.GARG	29-05-2013
SCALE		2:1
AREA mm <sup>2</sup>		693.77
PERIMETER mm.		102.601
WEIGHT kg/m		1.873
DRAWING No.	SECTION No.	
P-12798-1	-	
S3775	S3775	
28175	28175	

1. ALL DIMENSIONS ARE IN mm.
2. ROUND OFF ALL SHARP CORNERS WITH 0.40 mm.
3. TOLERANCES WILL BE AS PER IS:3965-1981, UNLESS OTHERWISE SPECIFIED

PARTY'S NAME	GLOBAL AUTOTECH LTD., NOIDA
PARTY'S DRAWING No.	TC-EX-208-00
ALLOY & TEMPER	6063 T6
DESCRIPTION	AUTOMOBILE-TUBE CONNECTOR SECTION