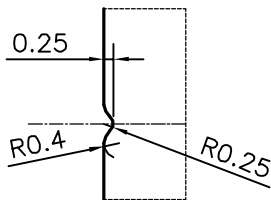
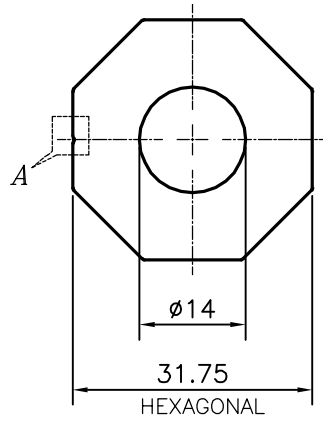



P-15057-1

28187



DETAIL OF "A"
SCALE 5:1

 SYMBOL OF QUALITY AN ISO 9001 COMPANY	JINDAL ALUMINIUM LTD. BANGALORE-560073 (INDIA)		NAME	DATE
		DRAWN	PARVESH	26-08-2015
1. ALL DIMENSIONS ARE IN mm. 2. ROUND OFF ALL SHARP CORNERS WITH 0.40 mm. 3. TOLERANCES WILL BE AS PER ANSI:H35.2-2009 , UNLESS OTHERWISE SPECIFIED		CHECKED		
		APPROVED	S.S.GARG	01-09-2015
PARTY'S NAME NINGBO WE-CAN IMPORT & EXPORT CO. LTD., CHINA		SCALE		1:1
		AREA mm ²		681.024
PARTY'S DRAWING No. JX-XC-824886		PERIMETER mm.		105.228
		WEIGHT kg/m		1.839
ALLOY & TEMPER 6063 T6		DRAWING No.	SECTION No.	
		P-15057-1	-	
DESCRIPTION HEXAGONAL TUBE SECTION-MISC.		28187	28187	