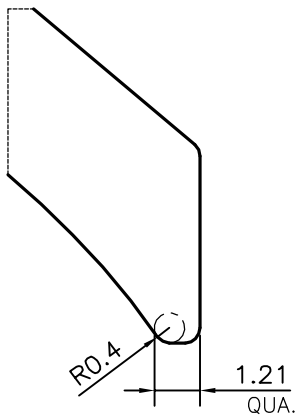
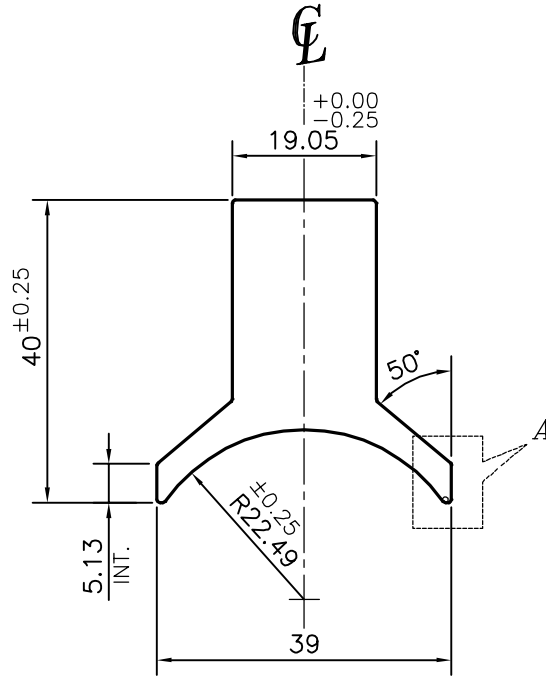


P-15058-2

28188



DETAIL OF "A"
SCALE 5:1



SYMBOL OF QUALITY
AN ISO 9001 COMPANY

JINDAL ALUMINIUM LTD.
BANGALORE-560073 (INDIA)

	NAME	DATE
DRAWN	PARVESH	29-08-2015
CHECKED		
APPROVED	S.S.GARG	01-09-2015
SCALE		1:1
AREA mm ²		696.672
PERIMETER mm.		152.926
WEIGHT kg/m		1.881
DRAWING No.	SECTION No.	
P-15058-2	-	
28188	28188	

1. ALL DIMENSIONS ARE IN mm.
2. ROUND OFF ALL SHARP CORNERS WITH 0.40 mm.
3. TOLERANCES WILL BE AS PER ANSI:H35.2-2009 , UNLESS OTHERWISE SPECIFIED

PARTY'S NAME	NINGBO WE-CAN IMPORT & EXPORT CO. LTD., CHINA
PARTY'S DRAWING No.	JX-XC-830463
ALLOY & TEMPER	6063 T6
DESCRIPTION	INDUSTRIAL SECTION