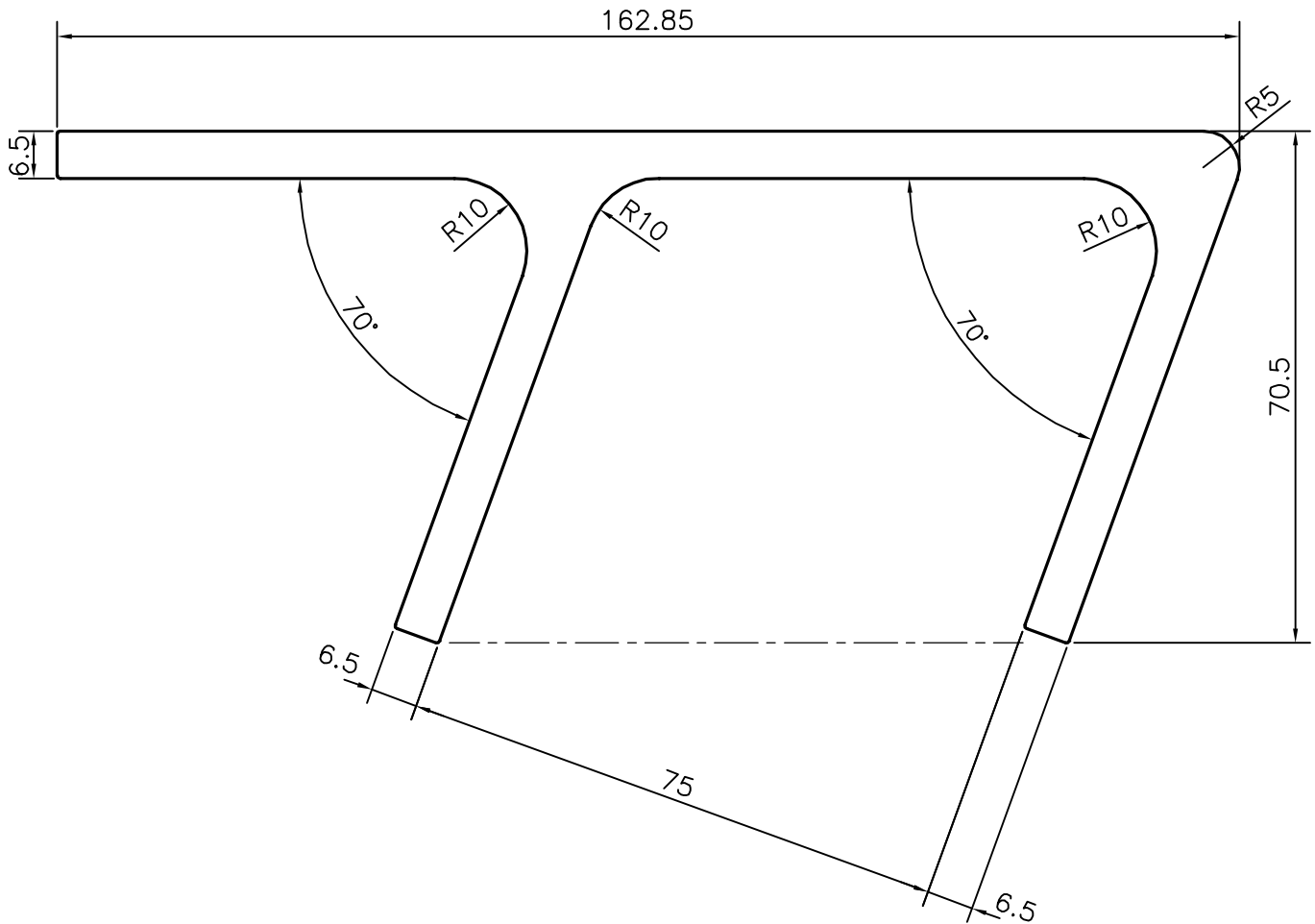



P-12961
S3849
28201



TOLERANCES ON OVERALL WIDTHS & WIDTHS ACROSS FLATS OF BARS, & REGULAR SECTIONS

UPTO 6.40mm - ±0.20	UPTO 32.0mm - ±0.38	UPTO 120.0mm - ±0.85	UPTO 320.00mm - ±1.70
UPTO 10.0mm - ±0.23	UPTO 50.0mm - ±0.46	UPTO 160.0mm - ±1.02	
UPTO 12.0mm - ±0.25	UPTO 60.0mm - ±0.53	UPTO 200.0mm - ±1.14	
UPTO 16.0mm - ±0.28	UPTO 80.0mm - ±0.69	UPTO 250.0mm - ±1.40	
UPTO 25.0mm - ±0.30	UPTO 100.0mm - ±0.75	UPTO 300.0mm - ±1.65	

 SYMBOL OF QUALITY AN ISO 9001 COMPANY	<b>JINDAL ALUMINIUM LTD.</b> BANGALORE-560073 (INDIA)	DRAWN	NAME	DATE
		CHECKED	PARVESH	13-08-2013
1. ALL DIMENSIONS ARE IN mm. 2. ROUND OFF ALL SHARP CORNERS WITH 0.40 mm. 3. TOLERANCES WILL BE AS PER IS:3965-1981, UNLESS OTHERWISE SPECIFIED		APPROVED	S.S.GARG	04-09-2013
		SCALE		1:1
PARTY'S NAME GENN CONTROLS INDIA PVT. LTD., COIMBATORE		AREA mm <sup>2</sup>		2026.994
		PERIMETER mm.		582.148
PARTY'S DRAWING No. 022 100 101		WEIGHT kg/m		5.473
		DRAWING No.		
ALLOY & TEMPER 63400 WP		SECTION No.		
		P-12961		-
DESCRIPTION TOP TRAY CLAMP OF VIBRATER ASSY.		S3849		S3849
		28201		28201