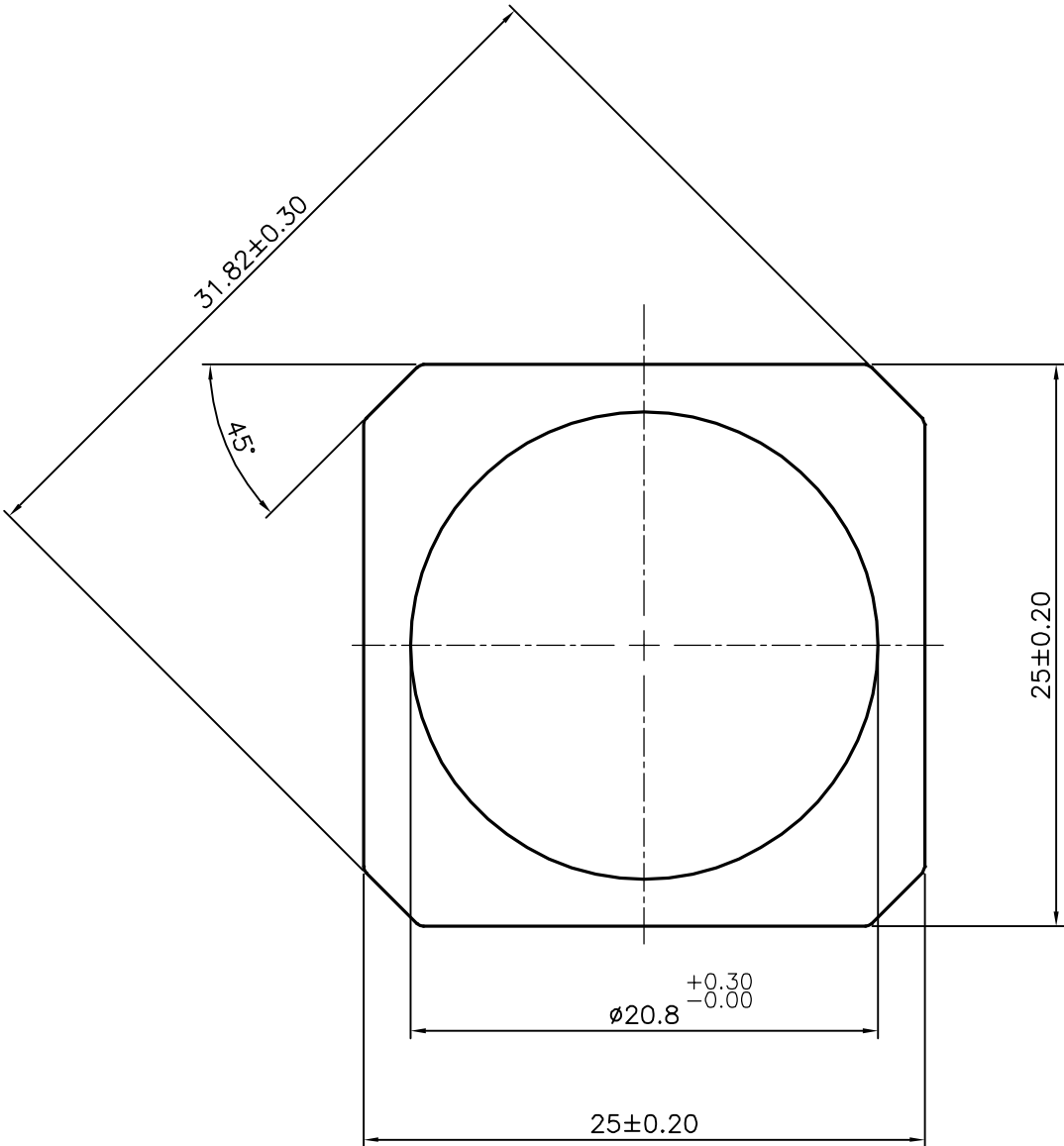
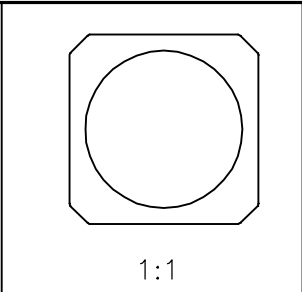



P-14102-1
S4311
28204



 SYMBOL OF QUALITY AN ISO 9001 COMPANY	JINDAL ALUMINIUM LTD. BANGALORE-560073 (INDIA)	NAME		DATE
		DRAWN	J.P.KAUSHIK	28-11-2014
1. ALL DIMENSIONS ARE IN mm. 2. ROUND OFF ALL SHARP CORNERS WITH 0.40 mm. 3. TOLERANCES WILL BE AS PER IS:6477-1983 , UNLESS OTHERWISE SPECIFIED		CHECKED		
		APPROVED	S.S.GARG	03-12-2014
PARTY'S NAME PINK SOLUTIONS, BANGALORE		SCALE		3:1
		AREA mm ²		272.679
PARTY'S DRAWING No. AS PER DRAWING		PERIMETER mm.		94.005
		WEIGHT kg/m		0.736
ALLOY & TEMPER HE30 WP		DRAWING No.		SECTION No.
		P-14102-1		-
DESCRIPTION SQUARE TUBE-MISC.		S4311		-
		28204		28204