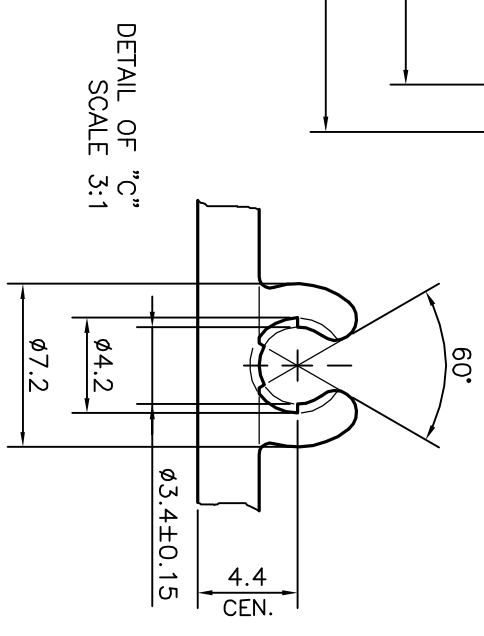
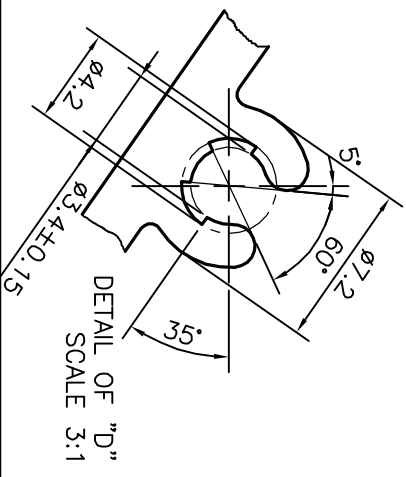
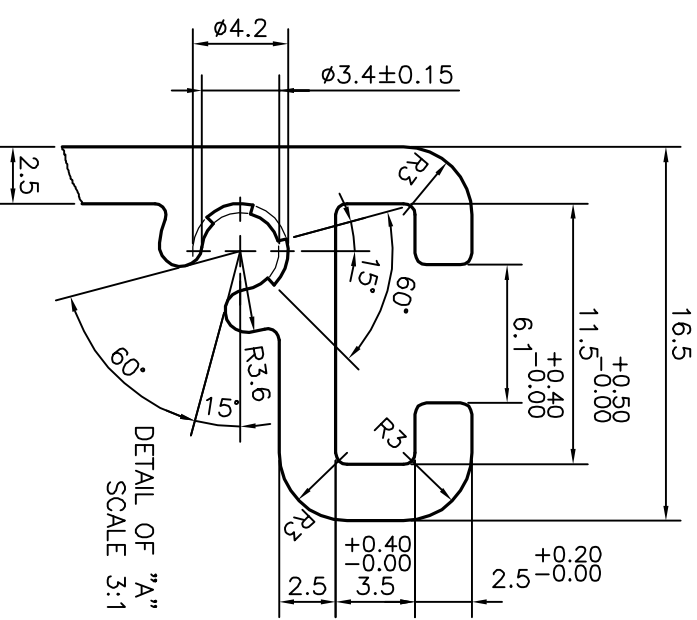
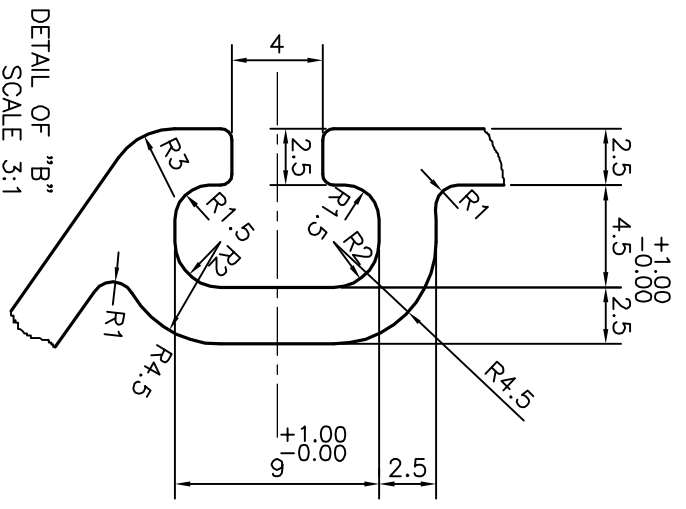
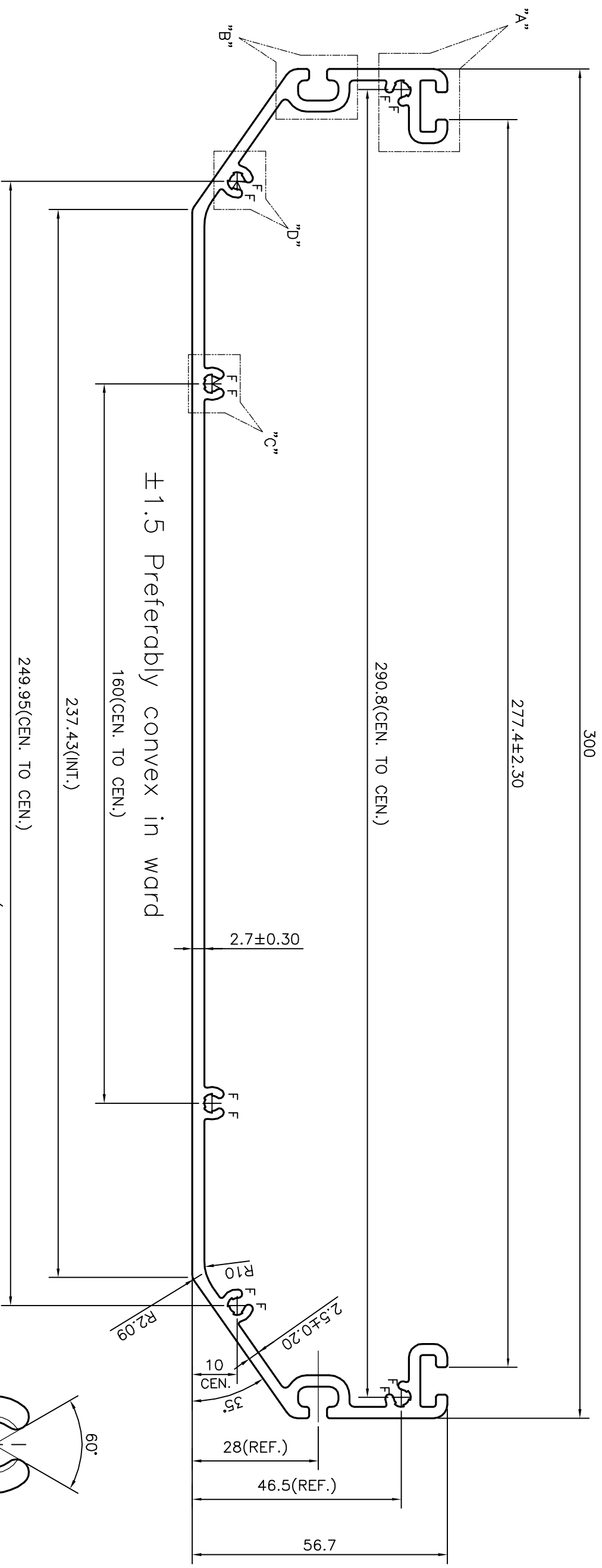


DRAWING DEVELOPED BASED ON PARTY'S AutocAD DRAWING



F = FULL RADIUS (12 PLACES)

<p>SYMBOL OF QUALITY AN ISO 9001 COMPANY</p>		<p>JINDAL ALUMINIUM LTD. BANGALORE-560073 (INDIA)</p>	
<p>1. ALL DIMENSIONS ARE IN mm. 2. ROUND OFF ALL SHARP CORNERS WITH 0.50 mm. 3. TOLERANCES WILL BE AS PER BS:EN-755-9 UNLESS OTHERWISE SPECIFIED</p>			
PARTY'S NAME		AMPHENOL OMNICONNECT INDIA PVT. LTD., MARAMALAI NAGAR	
PARTY'S DRAWING No.		H3193-003-02(ISSUE-02)	
ALLOY & TEMPER		6106A T5	
DESCRIPTION		CHASSIS SECTION	
DRAWN	NAME	DATE	
CHECKED	J.P.KAUSHIK	20-01-2014	
APPROVED	S.S.GARG	22-02-2014	
SCALE		1:1	
AREA	mm ²	1277.049	
PERIMETER	mm.	986.642	
WEIGHT	kg/m	3.448	
DRAWING No.		SECTION No.	
P-12937-2		-	
S4042		S4042	
28208		28208	