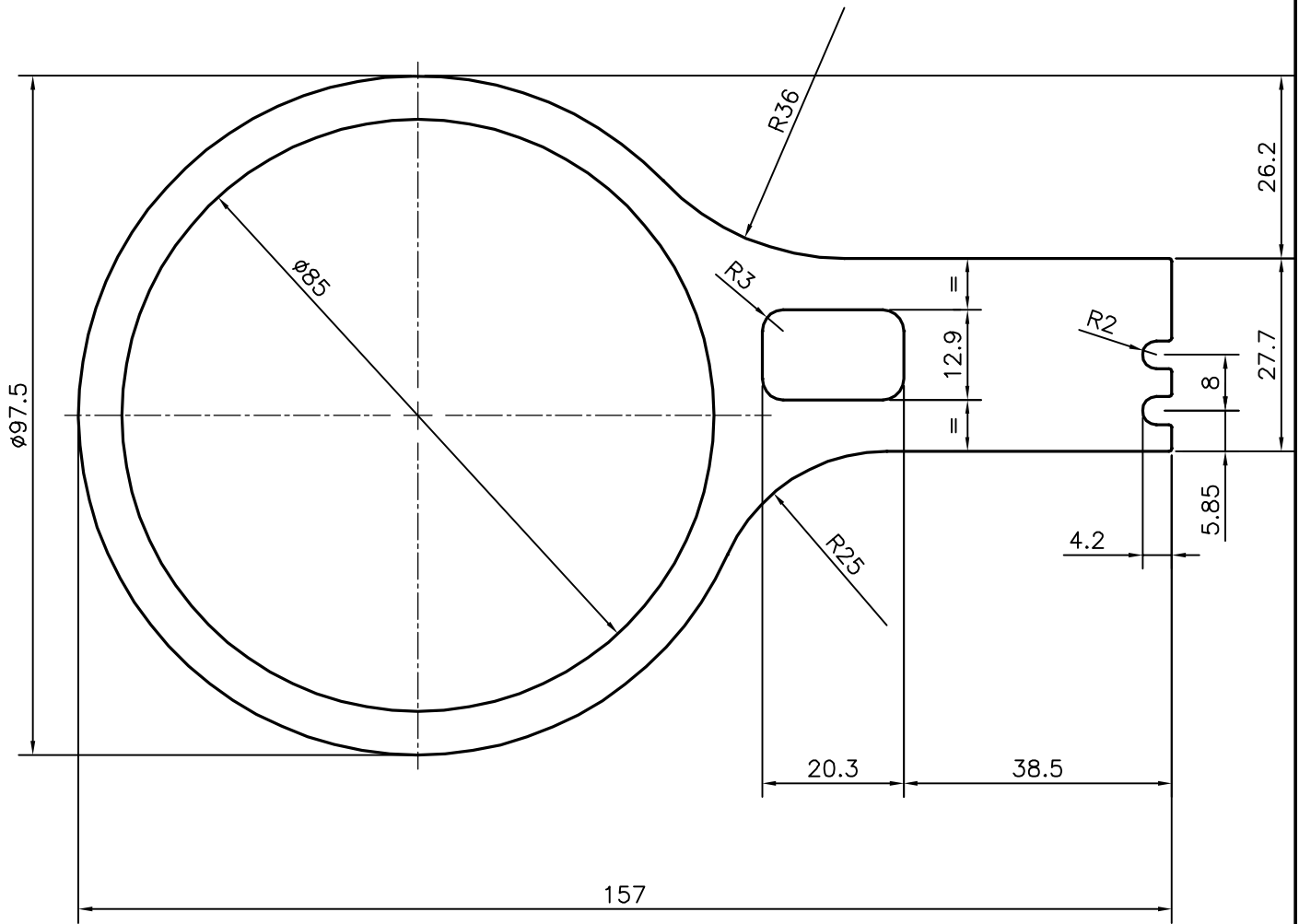


P-15551-1

28213



SYMBOL OF QUALITY
AN ISO 9001 COMPANY

JINDAL ALUMINIUM LTD.
BANGALORE-560073 (INDIA)

| | NAME | DATE |
|----------------------|-------------|------------|
| DRAWN | J.P.KAUSHIK | 01-02-2016 |
| CHECKED | | |
| APPROVED | B. NATARAJ | 05-02-2016 |
| SCALE | | 1:1 |
| AREA mm ² | | 3296.125 |
| PERIMETER mm. | | 434.384 |
| WEIGHT kg/m | | 8.900 |
| DRAWING No. | SECTION No. | |
| P-15551-1 | - | |
| 28213 | 28213 | |
| | | |
| | | |

1. ALL DIMENSIONS ARE IN mm.
2. ROUND OFF ALL SHARP CORNERS WITH 0.40 mm.
3. TOLERANCES WILL BE AS PER, IS:6477-1983 UNLESS OTHERWISE SPECIFIED

| | |
|---------------------|------------------------------------|
| PARTY'S NAME | GENERAL CATEGORY, BANGALORE MARKET |
| PARTY'S DRAWING No. | AS PER SAMPLE |
| ALLOY & TEMPER | 6005 T6 |
| DESCRIPTION | MISC. SECTION |