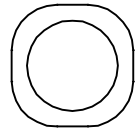


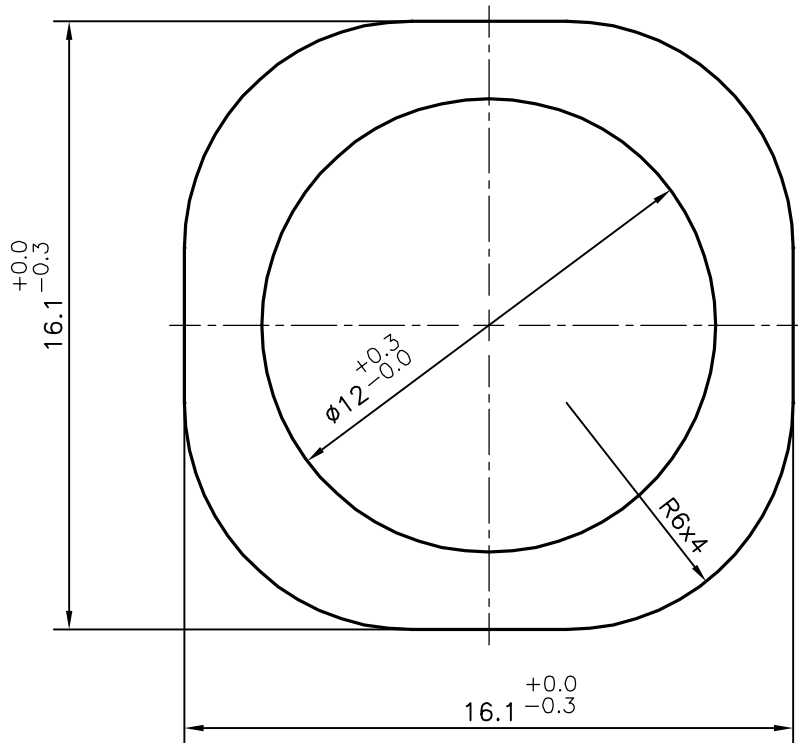
P-13576-2

S4125

28248



SCALE: - 1:1



SYMBOL OF QUALITY  
AN ISO 9001 COMPANY

**JINDAL ALUMINIUM LTD.**  
BANGALORE-560073 (INDIA)

	NAME	DATE
DRAWN	PARVESH	10-05-2014
CHECKED		
APPROVED	S.S.GARG	29-05-2014
SCALE		5:1
AREA mm <sup>2</sup>		115.21
PERIMETER mm.		54.099
WEIGHT kg/m		0.311
DRAWING No.	SECTION No.	
P-13576-2	-	
S4125	S4125	
28248	28248	

1. ALL DIMENSIONS ARE IN mm.
2. ROUND OFF ALL SHARP CORNERS WITH 0.4 mm.
3. TOLERANCES WILL BE AS PER BS:EN-12020-2 , UNLESS OTHERWISE SPECIFIED

PARTY'S NAME	WONJIN AUTOPARTS PVT. LTD., MARAIMALAI NAGAR
PARTY'S DRAWING No.	WOJJIN-CONNECTOR-01
ALLOY & TEMPER	3103 'O'
DESCRIPTION	AUTOMOBILE SECTION