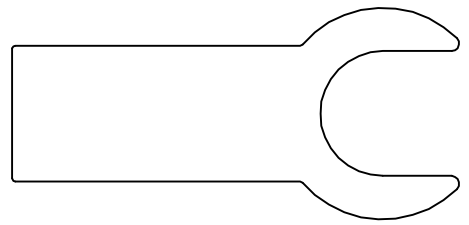


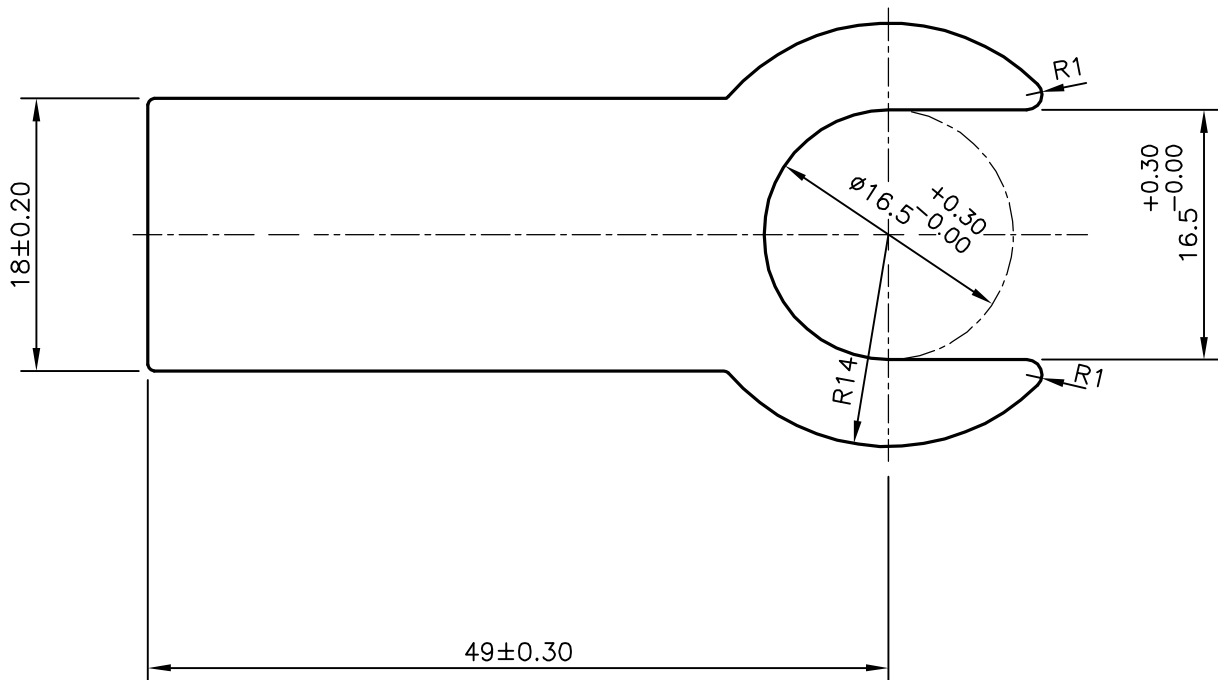
P-13709-1

S4174

28260



1:1



SYMBOL OF QUALITY
AN ISO 9001 COMPANY

JINDAL ALUMINIUM LTD.
BANGALORE-560073 (INDIA)

	NAME	DATE
DRAWN	J.P.KAUSHIK	14-07-2014
CHECKED		
APPROVED	S.S.GARG	18-07-2014
SCALE		2:1
AREA mm ²		938.382
PERIMETER mm.		189.321
WEIGHT kg/m		2.534
DRAWING No.	SECTION No.	
P-13709-1	-	
S4174	S4174	
28260	28260	

1. ALL DIMENSIONS ARE IN mm.
2. ROUND OFF ALL SHARP CORNERS WITH 0.40 mm.
3. TOLERANCES WILL BE AS PER BS:EN-12020-2 UNLESS OTHERWISE SPECIFIED

PARTY'S NAME	GLOBAL AUTOTECH LTD.,NOIDA
PARTY'S DRAWING No.	TC-EX-287
ALLOY & TEMPER	6061 T6
DESCRIPTION	TUBE CONNECTOR