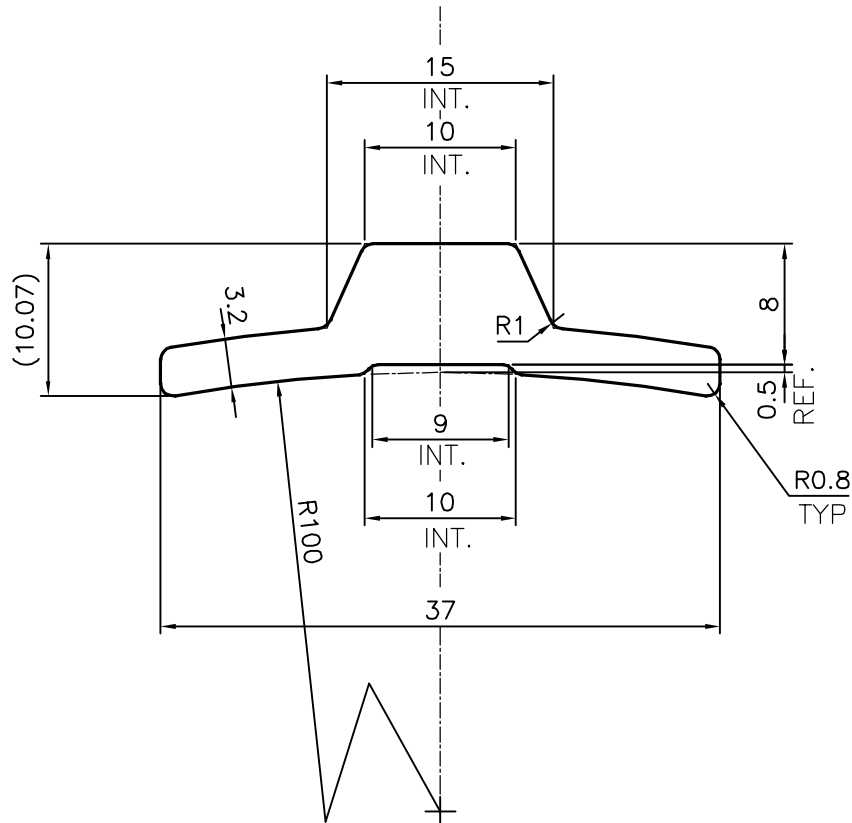


P-15341

S4750

28282

1:1



SYMBOL OF QUALITY
AN ISO 9001 COMPANY

JINDAL ALUMINIUM LTD.
BANGALORE-560073 (INDIA)

	NAME	DATE
DRAWN	J.P.KAUSHIK	23-11-2015
CHECKED		
APPROVED	S.S.GARG	05-12-2015
SCALE		2:1
AREA mm ²		180.329
PERIMETER mm.		86.582
WEIGHT kg/m		0.487
DRAWING No.	SECTION No.	
P-15341	-	
S4750	S4750	
28282	28282	

1. ALL DIMENSIONS ARE IN mm.
2. ROUND OFF ALL SHARP CORNERS WITH 0.40 mm.
3. TOLERANCES WILL BE AS PER IS:3965-1981 UNLESS OTHERWISE SPECIFIED

PARTY'S NAME	STOVEKRAFT PVT. LTD., BANGALORE
PARTY'S DRAWING No.	AS PER DRAWING
ALLOY & TEMPER	6351 T6
DESCRIPTION	A COOKER BRACKET SECTION