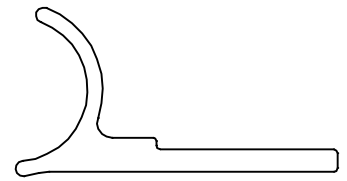


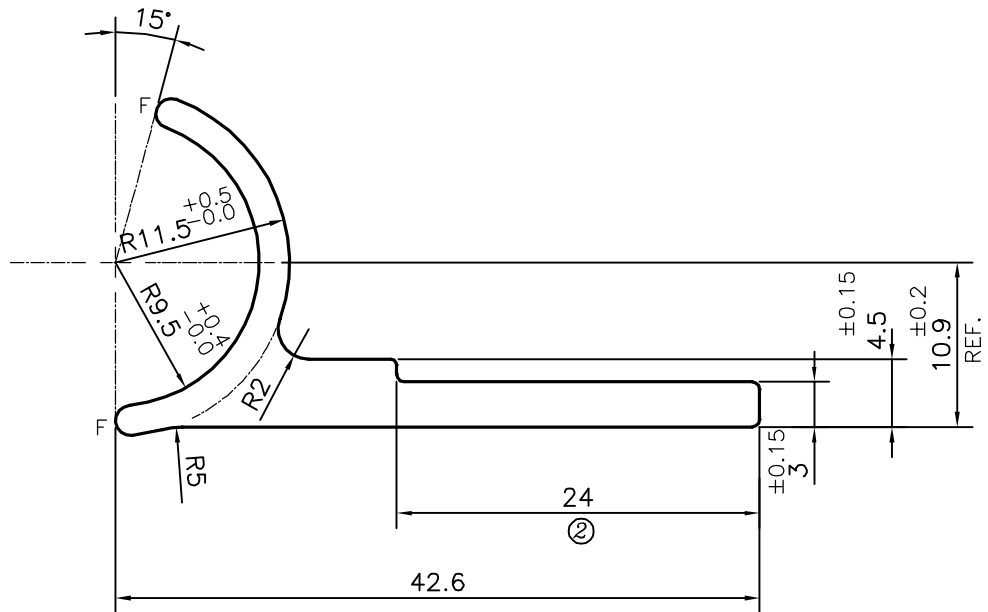
P-14327-1

S4350

28286



SCALE: - 1:1



ISSUE (2) :-

☞ DIMENSION CHANGED FROM 22 TO 24 mm.

F = FULL RADIUS (2 PLACES)

TOLERANCES ON OVERALL WIDTHS & WIDTHS ACROSS FLATS OF BARS, & REGULAR SECTIONS

UPTO 6.40mm - ±0.20	UPTO 32.0mm - ±0.38	UPTO 120.0mm - ±0.85	1. STRAIGHTNESS=1.7mm/M 2. TWIST=1.7mm/M 3. ANGULARITY= ±2° 4. FLATNESS =0.007xWIDTH
UPTO 10.0mm - ±0.23	UPTO 50.0mm - ±0.46	UPTO 160.0mm - ±1.02	
UPTO 12.0mm - ±0.25	UPTO 60.0mm - ±0.53	UPTO 200.0mm - ±1.14	
UPTO 16.0mm - ±0.28	UPTO 80.0mm - ±0.69	UPTO 250.0mm - ±1.40	
UPTO 25.0mm - ±0.30	UPTO 100.0mm - ±0.75	UPTO 300.0mm - ±1.65	



SYMBOL OF QUALITY
AN ISO 9001 COMPANY

JINDAL ALUMINIUM LTD.
BANGALORE-560073 (INDIA)

	NAME	DATE
DRAWN	PARVESH	09-03-2015
CHECKED		
APPROVED	S.S.GARG	11-03-2016

1. ALL DIMENSIONS ARE IN mm.
2. ROUND OFF ALL SHARP CORNERS WITH 0.50 mm.
3. TOLERANCES WILL BE AS PER IS:3965-1981 , UNLESS OTHERWISE SPECIFIED

SCALE	2:1
AREA mm ²	184.605
PERIMETER mm.	128.488
WEIGHT kg/m	0.498

PARTY'S NAME	MACRO AUTO TECH., FARIDABAD	DRAWING No.	P-14327-1	SECTION No.	-
PARTY'S DRAWING No.	VPGMAH-19D721-AA & REQUIREMENT		S4350		S4350(ISSUE-2)
ALLOY & TEMPER	6005 T5		28286		28286
DESCRIPTION	AUTOMOBILE SECTION-BKT TANK RETURN RH TOP				