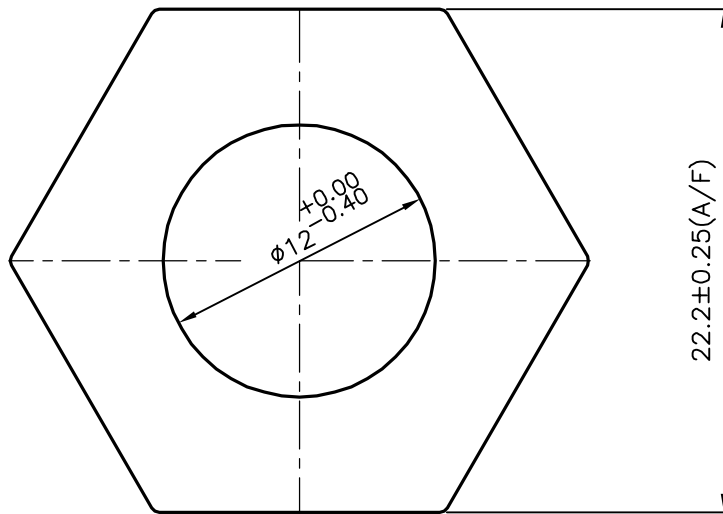
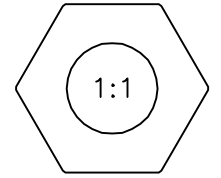


P-17048

28299



ISSUE-2 :-TOLERANCE CHANGED FROM  $\phi 12 \pm 0.20$  TO  $\phi 12 \begin{matrix} +0.00 \\ -0.40 \end{matrix}$



SYMBOL OF QUALITY  
AN ISO 9001 COMPANY

**JINDAL ALUMINIUM LTD.**  
BANGALORE-560073 (INDIA)

	NAME	DATE
DRAWN	J.P.KAUSHIK	11-09-2017
CHECKED		
APPROVED	B.NATARAJA	07-10-2017
SCALE		3:1
AREA mm <sup>2</sup>		313.663
PERIMETER mm.		76.645
WEIGHT kg/m		0.847
DRAWING No.	SECTION No.	
P-17048	-	
28299	28299(ISSUE-2)	

1. ALL DIMENSIONS ARE IN mm.
2. ROUND OFF ALL SHARP CORNERS WITH 0.40 mm.
3. TOLERANCES WILL BE AS PER ANSI:H35.2-2009 UNLESS OTHERWISE SPECIFIED

PARTY'S NAME	NINGBO WE-CAN IMPORT-EXPORT CO. LTD., CHINA
PARTY'S DRAWING No.	PARTS No:-826146
ALLOY & TEMPER	6063 T6
DESCRIPTION	HEXAGONAL TUBE