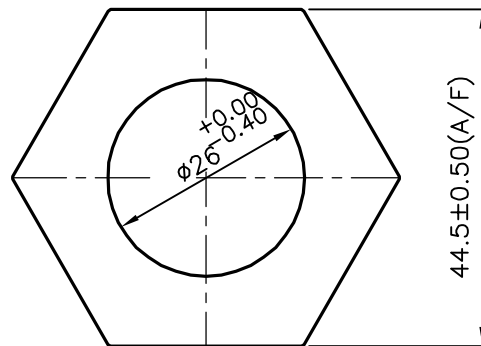



P-17054

28302



ISSUE-2 :-TOLERANCE CHANGED FROM $\phi 26 \pm 0.30$ TO $\phi 26 \begin{matrix} +0.00 \\ -0.40 \end{matrix}$

 SYMBOL OF QUALITY AN ISO 9001 COMPANY	JINDAL ALUMINIUM LTD. BANGALORE-560073 (INDIA)		NAME	DATE
		DRAWN	J.P.KAUSHIK	11-09-2017
1. ALL DIMENSIONS ARE IN mm. 2. ROUND OFF ALL SHARP CORNERS WITH 0.40 mm. 3. TOLERANCES WILL BE AS PER ANSI:H35.2-2009 UNLESS OTHERWISE SPECIFIED		CHECKED		
		APPROVED	B.NATARAJA	07-10-2017
PARTY'S NAME NINGBO WE-CAN IMPORT-EXPORT CO. LTD., CHINA		SCALE		1:1
		AREA mm ²		1183.966
PARTY'S DRAWING No. PARTS No:-824026		PERIMETER mm.		153.895
		WEIGHT kg/m		3.197
ALLOY & TEMPER 6063 T6		DRAWING No.		SECTION No.
		P-17054		-
DESCRIPTION HEXAGONAL TUBE		28302		28302(ISSUE-2)