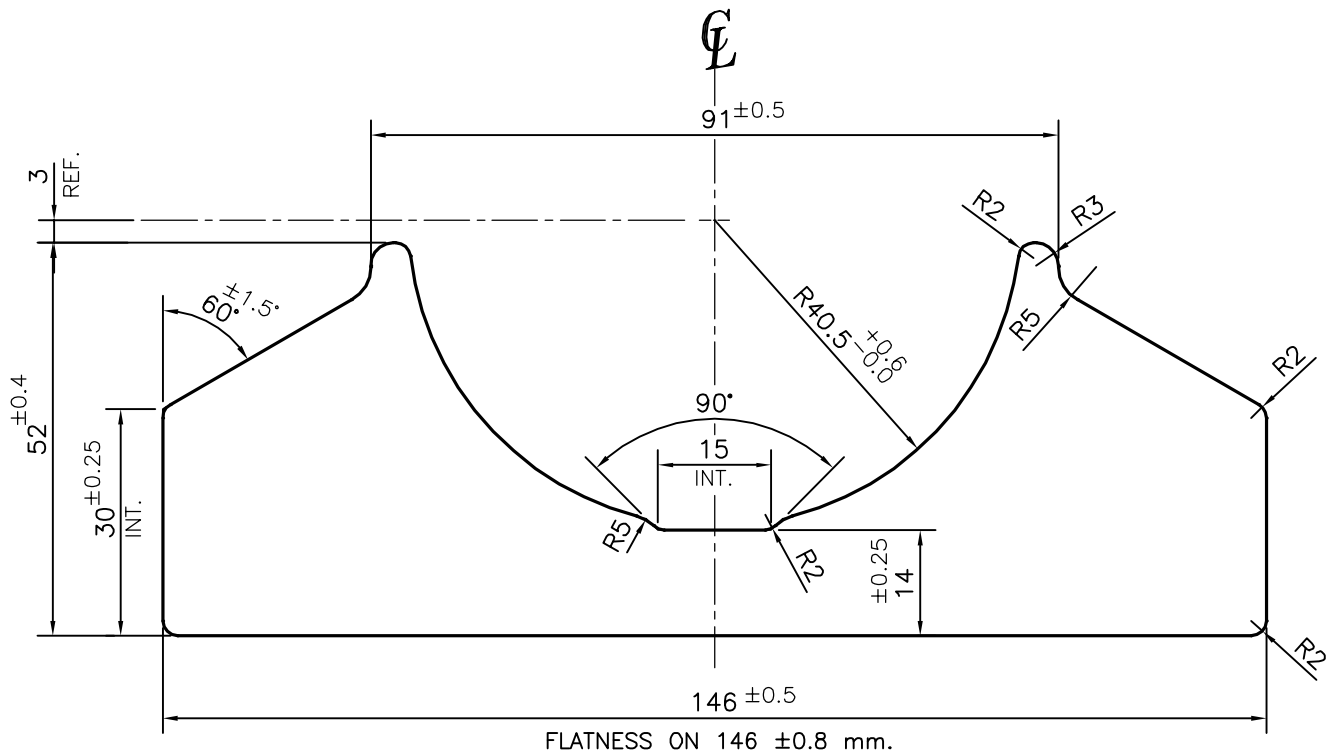


P-14687-1

S4552

28329



SYMBOL OF QUALITY  
AN ISO 9001 COMPANY

**JINDAL ALUMINIUM LTD.**  
BANGALORE-560073 (INDIA)

	NAME	DATE
DRAWN	PARVESH	16-06-2015
CHECKED		
APPROVED	S.S.GARG	28-07-2015

1. ALL DIMENSIONS ARE IN mm.
2. ROUND OFF ALL SHARP CORNERS WITH 0.40 mm.
3. TOLERANCES WILL BE AS PER BS:EN-12020-2 , UNLESS OTHERWISE SPECIFIED

SCALE	1:1
AREA mm <sup>2</sup>	4467.276
PERIMETER mm.	406.836
WEIGHT kg/m	12.062

PARTY'S NAME	COFIMCO INDUSTRIAL FANS (I) PVT. LTD., CHENNAI
PARTY'S DRAWING No.	EXBG80
ALLOY & TEMPER	6060 T6
DESCRIPTION	INDUSTRIAL SECTION

DRAWING No.	SECTION No.
P-14687-1	-
S4552	S4552
28329	28329