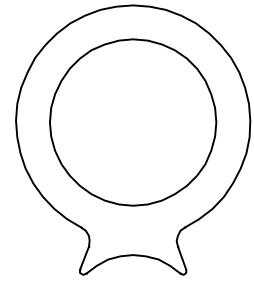


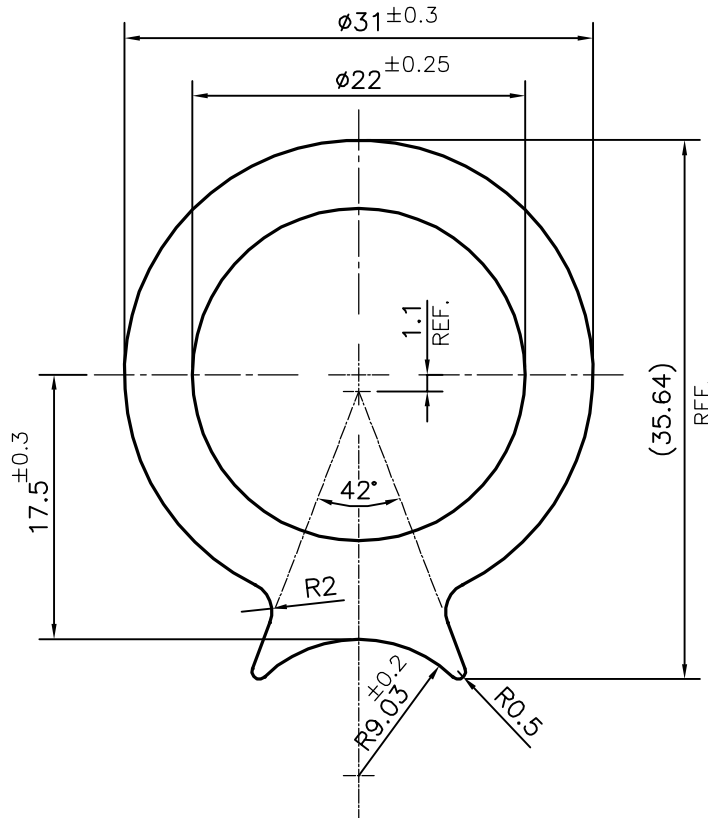
P-15678-1

S4910

28339



SCALE:- 1:1



SYMBOL OF QUALITY
AN ISO 9001 COMPANY

JINDAL ALUMINIUM LTD.
BANGALORE-560073 (INDIA)

	NAME	DATE
DRAWN	PARVESH	26-03-2016
CHECKED		
APPROVED	S.S. GARG	14-04-2016
SCALE		2:1
AREA mm ²		415.592
PERIMETER mm.		112.084
WEIGHT kg/m		1.122
DRAWING No.	SECTION No.	
P-15678-1	-	
S4910	S4910	
28339	28339	

1. ALL DIMENSIONS ARE IN mm.
2. ROUND OFF ALL SHARP CORNERS WITH 0.40 mm.
3. TOLERANCES WILL BE AS PER IS:6477-1983 , UNLESS OTHERWISE SPECIFIED

PARTY'S NAME	GLOBAL AUTOTECH LTD., NOIDA
PARTY'S DRAWING No.	TC-EX-321-00
ALLOY & TEMPER	DA3103BD 'O'
DESCRIPTION	AUTOMOBILE SECTION