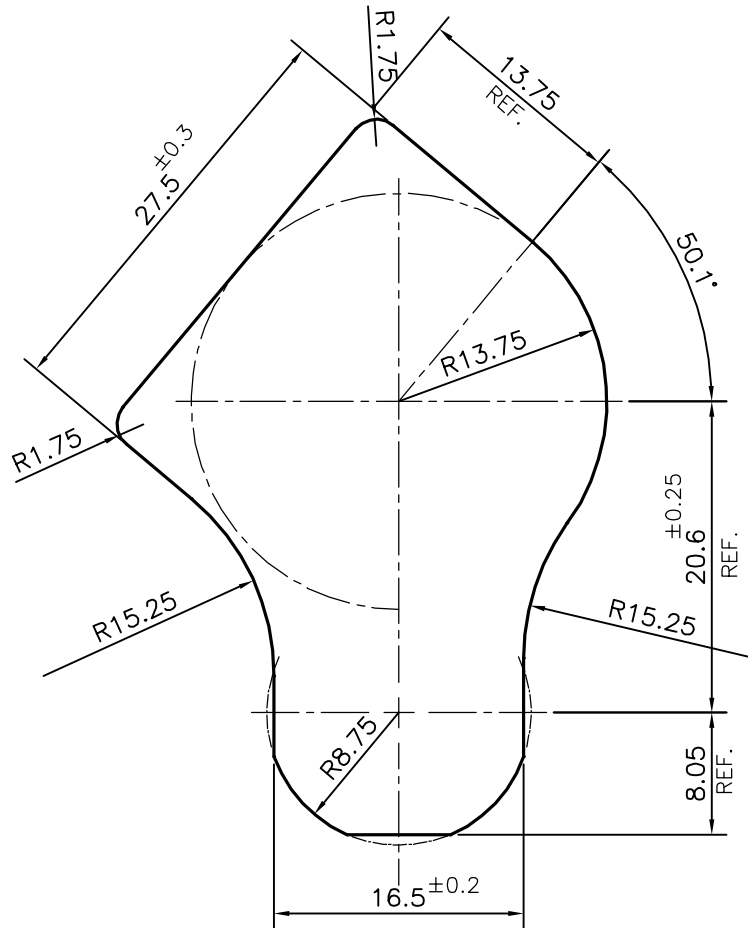
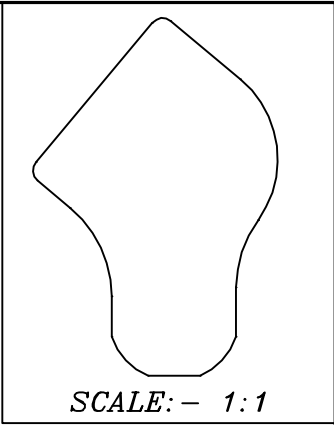



P-15499
S4837
28361



 SYMBOL OF QUALITY AN ISO 9001 COMPANY	JINDAL ALUMINIUM LTD. BANGALORE-560073 (INDIA)	NAME	DATE
		DRAWN	PARVESH 08-01-2016
1. ALL DIMENSIONS ARE IN mm. 2. ROUND OFF ALL SHARP CORNERS WITH 0.40 mm. 3. TOLERANCES WILL BE AS PER IS:3965-1981 , UNLESS OTHERWISE SPECIFIED		CHECKED	
		APPROVED	S.S.GARG 04-02-2016
PARTY'S NAME WONJIN AUTOPARTS INDIA PVT. LTD., CHENNAI		SCALE	1:1
		AREA mm ²	796.461
PARTY'S DRAWING No. AS PER AUTOCAD DRAWING-PL SJ01S0103 001		PERIMETER mm.	641.592
		WEIGHT kg/m	2.150
ALLOY & TEMPER 6061 'O'		DRAWING No.	SECTION No.
		P-15499	-
DESCRIPTION AUTOMOBILE SECTION		S4837	S4837
		28361	28361