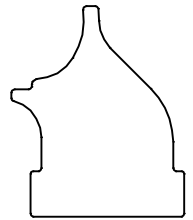


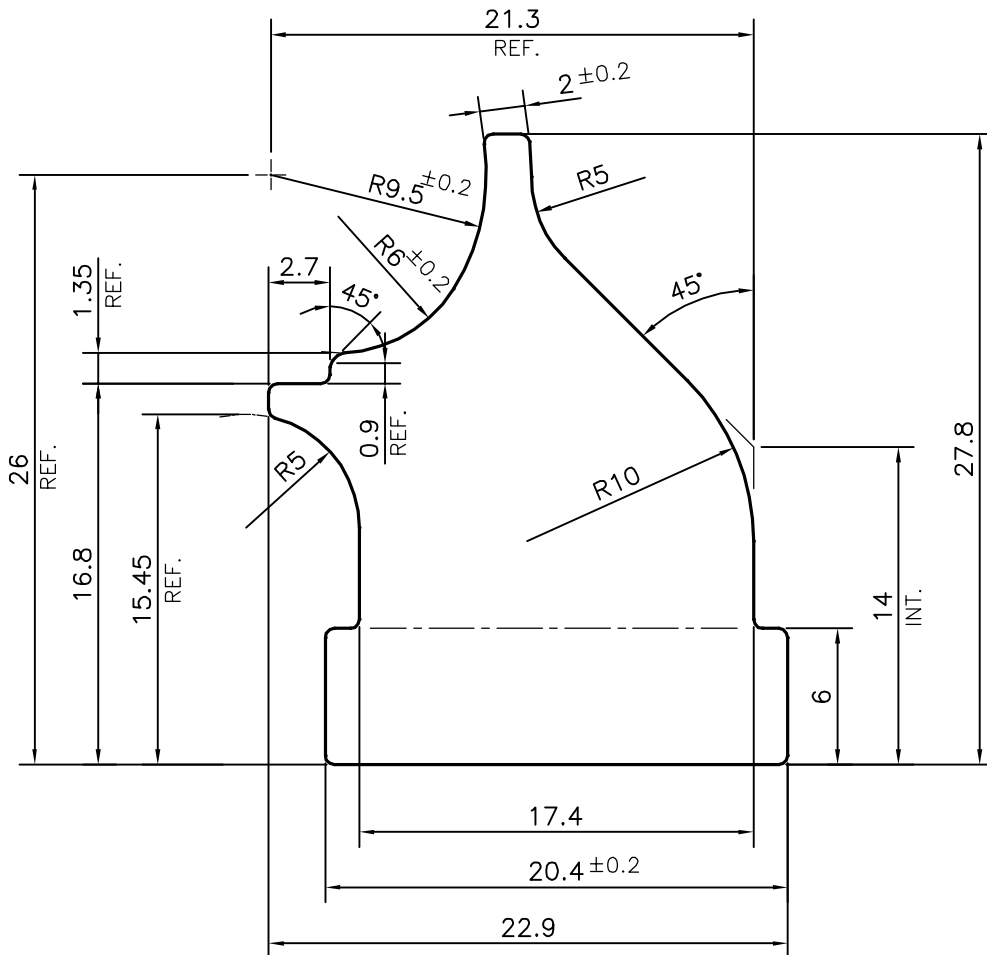
P-15675-1

S4895

28364



SCALE:- 1:1



SYMBOL OF QUALITY
AN ISO 9001 COMPANY

JINDAL ALUMINIUM LTD.
BANGALORE-560073 (INDIA)

| | NAME | DATE |
|----------------------|-------------|------------|
| DRAWN | PARVESH | 29-03-2016 |
| CHECKED | | |
| APPROVED | S.S. GARG | 04-04-2016 |
| SCALE | | 3:1 |
| AREA mm ² | | 381.7 |
| PERIMETER mm. | | 90.866 |
| WEIGHT kg/m | | 1.031 |
| DRAWING No. | SECTION No. | |
| P-15675-1 | - | |
| S4895 | S4895 | |
| 28364 | 28364 | |
| | | |
| | | |

1. ALL DIMENSIONS ARE IN mm.
2. ROUND OFF ALL SHARP CORNERS WITH 0.40 mm.
3. TOLERANCES WILL BE AS PER IS:3965-1981, UNLESS OTHERWISE SPECIFIED

| | |
|---------------------|-----------------------------|
| PARTY'S NAME | GLOBAL AUTOTECH LTD., NOIDA |
| PARTY'S DRAWING No. | AS PER AUTOCAD DRAWING |
| ALLOY & TEMPER | DA3103S 'O' |
| DESCRIPTION | AUTOMOBILE SECTION |