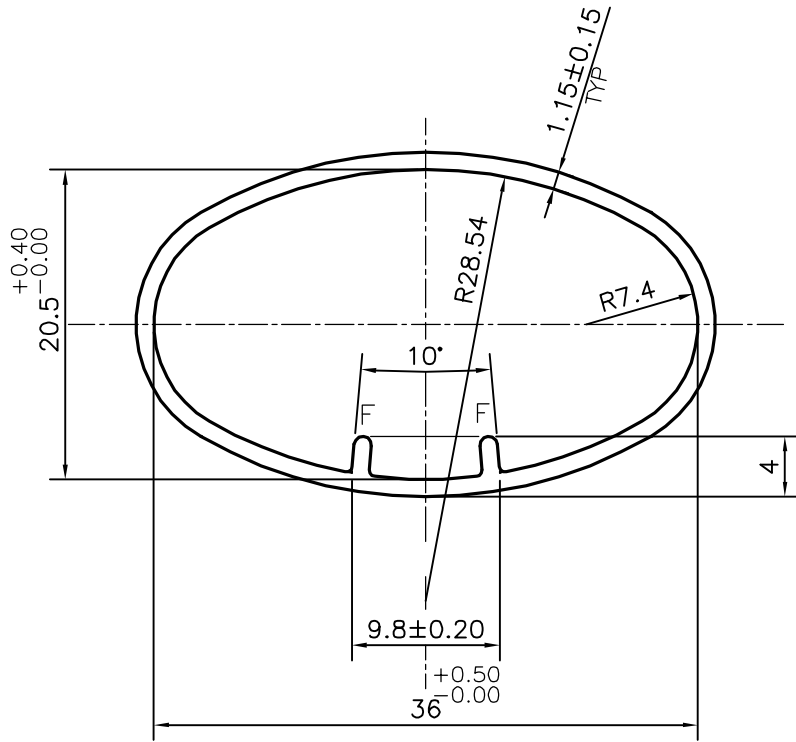
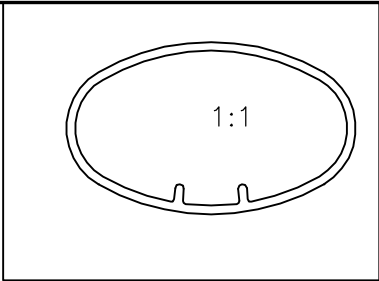



P-15557-1
S4869
28369



F = FULL RADIUS (2 PLACES)

 SYMBOL OF QUALITY AN ISO 9001 COMPANY	JINDAL ALUMINIUM LTD. BANGALORE-560073 (INDIA)	DRAWN	J.P.KAUSHIK	26-02-2016
		CHECKED		
1. ALL DIMENSIONS ARE IN mm. 2. ROUND OFF ALL SHARP CORNERS WITH 0.40 mm. 3. TOLERANCES WILL BE AS PER, IS:6477-1983 UNLESS OTHERWISE SPECIFIED		APPROVED	S.S.GARG	01-03-2016
		SCALE		2:1
PARTY'S NAME STOVEKRAFT PVT. LTD., BANGALORE		AREA mm ²		114.374
		PERIMETER mm.		98.136
PARTY'S DRAWING No. ND EXT 000 01 & REQUIREMENT		WEIGHT kg/m		0.309
		DRAWING No.	P-15557-1	SECTION No.
ALLOY & TEMPER 6063 T6			S4869	S4869
			28369	28369
DESCRIPTION FLAME GUARD SECTION				