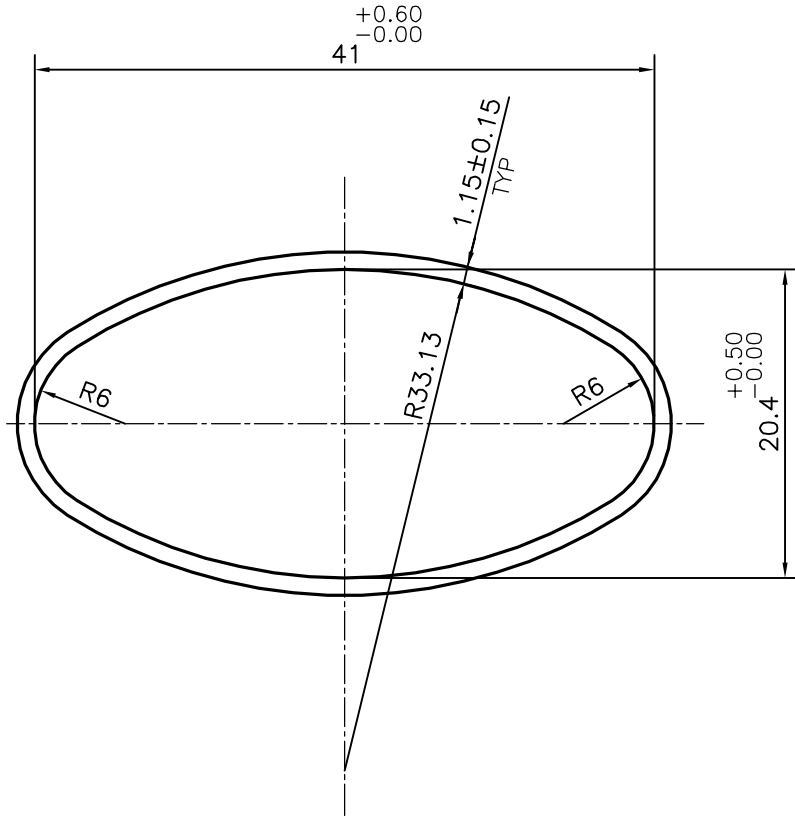
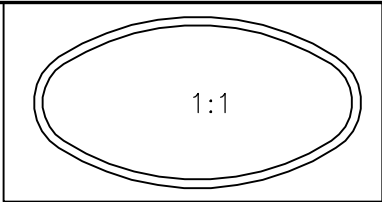



P-15558-1
S4870
28370



 SYMBOL OF QUALITY AN ISO 9001 COMPANY	JINDAL ALUMINIUM LTD. BANGALORE-560073 (INDIA)		NAME	DATE
		DRAWN	J.P.KAUSHIK	26-02-2016
1. ALL DIMENSIONS ARE IN mm. 2. ROUND OFF ALL SHARP CORNERS WITH 0.40 mm. 3. TOLERANCES WILL BE AS PER, IS:6477-1983 UNLESS OTHERWISE SPECIFIED		CHECKED		
		APPROVED	S.S.GARG	01-03-2016
PARTY'S NAME STOVEKRAFT PVT. LTD., BANGALORE		SCALE		2:1
		AREA mm ²		117.879
PARTY'S DRAWING No. NF EXT 000 01 & REQUIREMENT		PERIMETER mm.		106.116
		WEIGHT kg/m		0.318
ALLOY & TEMPER 6063 T6		DRAWING No.	SECTION No.	
		P-15558-1	-	
DESCRIPTION FLAME GUARD SECTION		S4870	S4870	
		28370	28370	