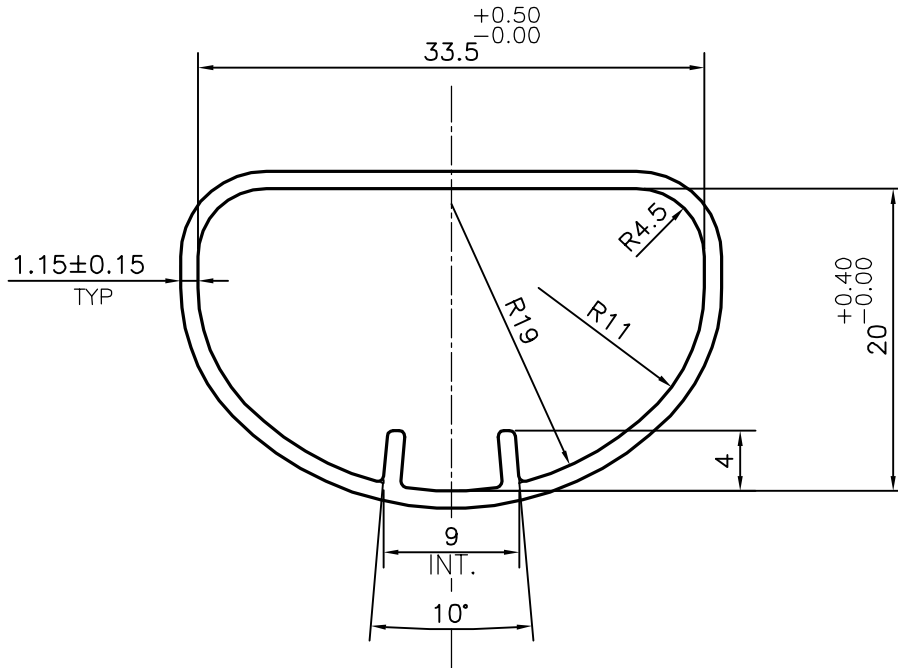
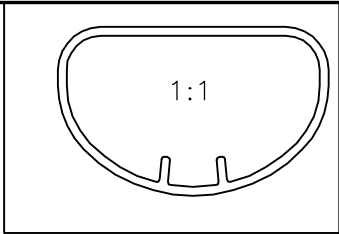



P-15559-1
S4871
28371



 SYMBOL OF QUALITY AN ISO 9001 COMPANY	JINDAL ALUMINIUM LTD. BANGALORE-560073 (INDIA)	NAME		DATE	
		DRAWN	J.P.KAUSHIK	26-02-2016	
1. ALL DIMENSIONS ARE IN mm. 2. ROUND OFF ALL SHARP CORNERS WITH 0.40 mm. 3. TOLERANCES WILL BE AS PER, IS:6477-1983 UNLESS OTHERWISE SPECIFIED		CHECKED			
		APPROVED	S.S.GARG	01-03-2016	
PARTY'S NAME		STOVEKRAFT PVT. LTD., BANGALORE		SCALE	2:1
		PARTY'S DRAWING No.		NE EXT 000 01 R2 & REQUIREMENT	AREA mm ²
ALLOY & TEMPER		6063 T6		PERIMETER mm.	97.377
		DESCRIPTION		FLAME GUARD SECTION	WEIGHT kg/m
				DRAWING No.	SECTION No.
				P-15559-1	-
				S4871	S4871
				28371	28371