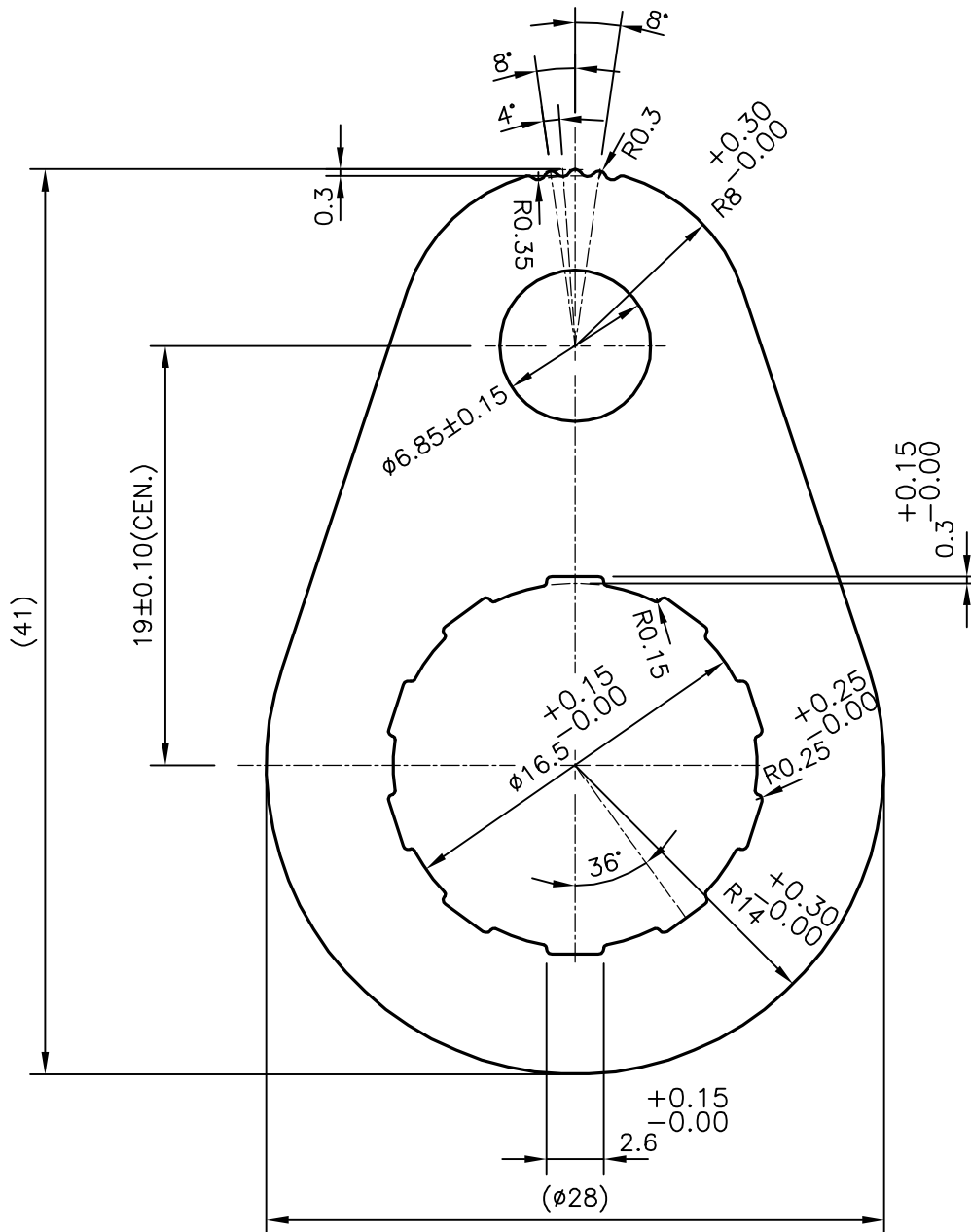
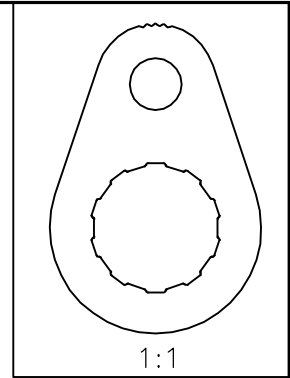


P-14591-2
S5823
28390



<p>SYMBOL OF QUALITY AN ISO 9001 COMPANY</p>	<p>JINDAL ALUMINIUM LTD. BANGALORE-560073 (INDIA)</p>	NAME	DATE
		DRAWN	J.P.KAUSHIK
<p>1. ALL DIMENSIONS ARE IN mm. 2. ROUND OFF ALL SHARP CORNERS WITH 0.40 mm. 3. TOLERANCES WILL BE AS PER IS:6477-1983 UNLESS OTHERWISE SPECIFIED</p>		CHECKED	
		APPROVED	B.NATARAJA
<p>PARTY'S NAME</p> <p>WINTAGE ENGINEERS & CONSULTANTS, GHAZIABAD</p>		SCALE	3:1
		AREA mm ²	587.584
<p>PARTY'S DRAWING No.</p> <p>ALFP1621</p>		PERIMETER mm.	109.769
		WEIGHT kg/m	1.586
<p>ALLOY & TEMPER</p> <p>6060 T6</p>		DRAWING No.	SECTION No.
		P-14591-2	-
<p>DESCRIPTION</p> <p>MISC. SECTION</p>		S5823	S5823
		28390	28390