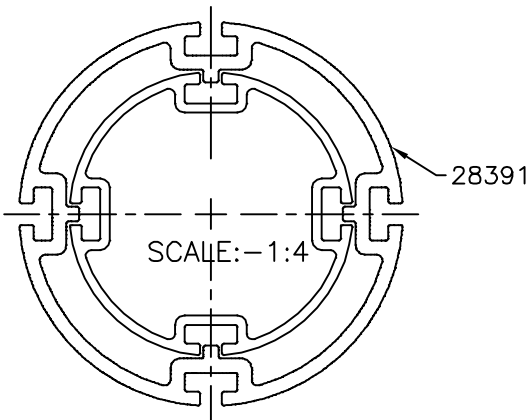
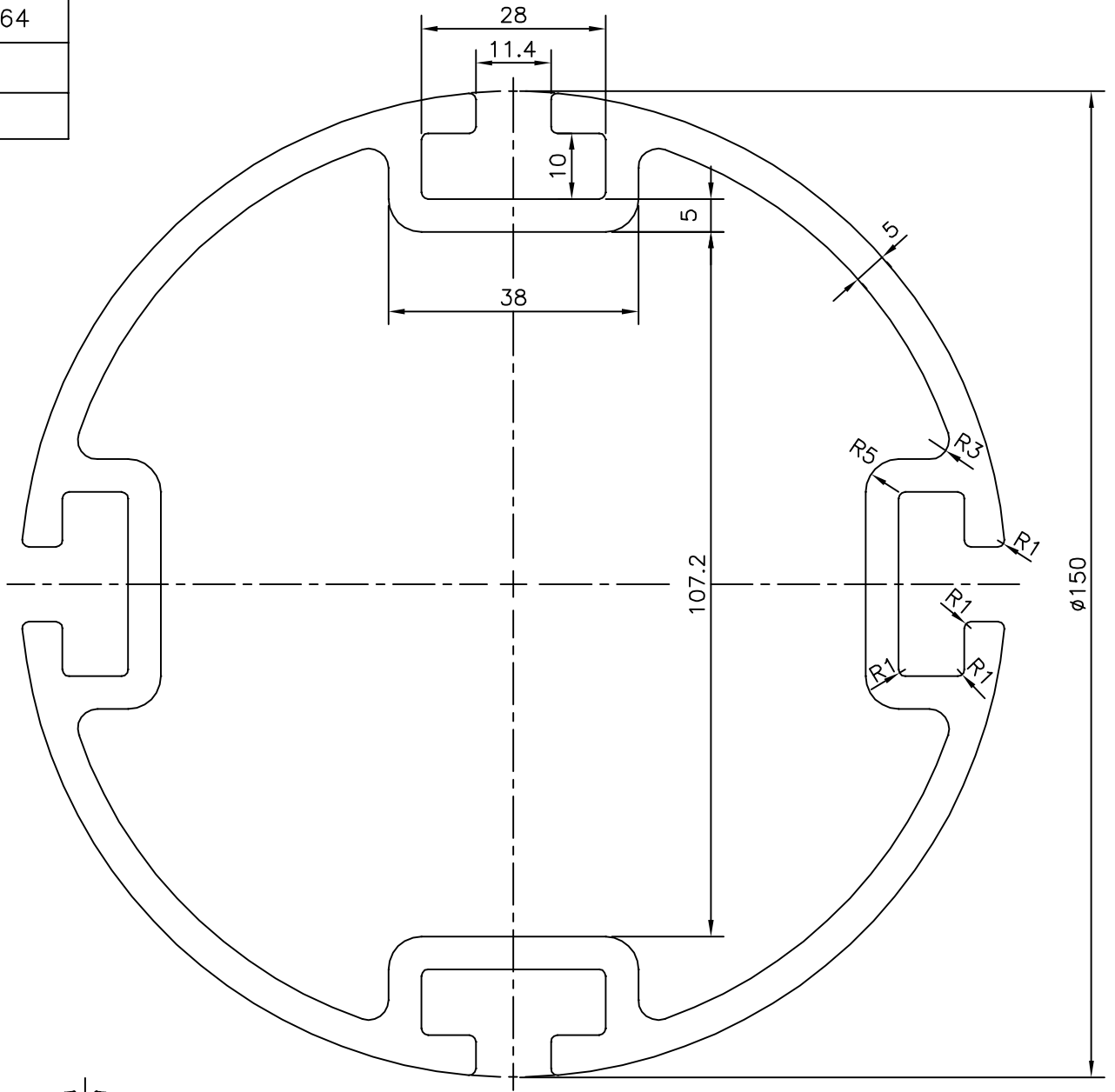


P-17764

S5639

28392



SYMBOL OF QUALITY  
AN ISO 9001 COMPANY

**JINDAL ALUMINIUM LTD.**  
BANGALORE-560073 (INDIA)

	NAME	DATE
DRAWN	J.P.KAUSHIK	05-01-2018
CHECKED		
APPROVED	B.NATARAJA	11-01-2018
SCALE		1:1
AREA mm <sup>2</sup>		3217.738
PERIMETER mm.		718.999
WEIGHT kg/m		8.688
DRAWING No.	SECTION No.	
P-17764	-	
S5639	S5639	
28392	28392	

1. ALL DIMENSIONS ARE IN mm.
2. ROUND OFF ALL SHARP CORNERS WITH 0.40 mm.
3. TOLERANCES WILL BE AS PER IS:6477-1983 , UNLESS OTHERWISE SPECIFIED

PARTY'S NAME	WORKSPACE METAL SOLUTION PVT. LTD., UDAIPUR
PARTY'S DRAWING No.	AS PER DRAWING
ALLOY & TEMPER	6063 T6
DESCRIPTION	BEAM SECTION