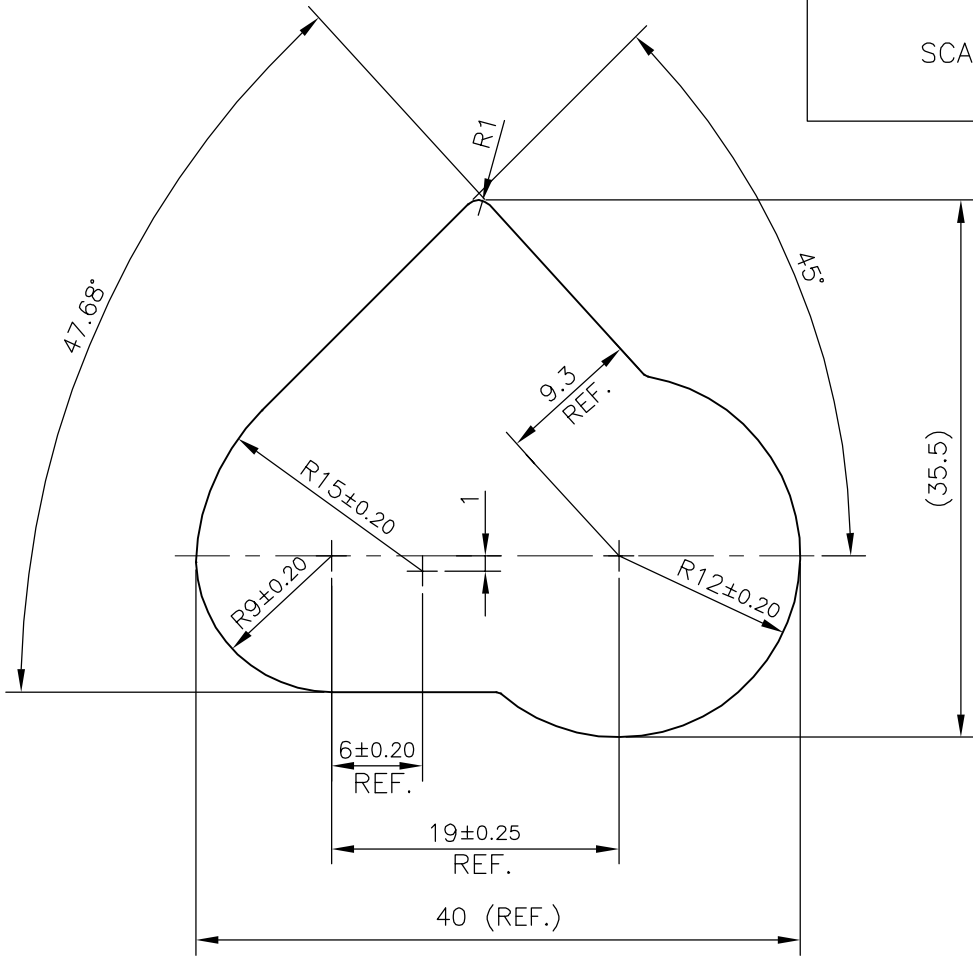
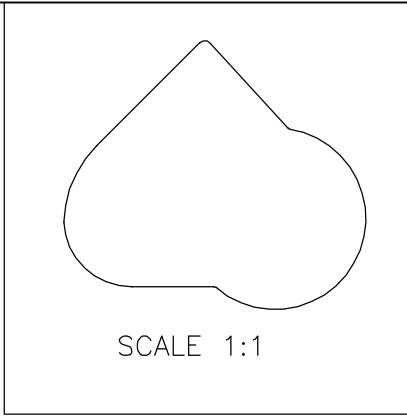



| |
|---------|
| P-16610 |
| S5271 |
| 28431 |



ISSUE-2: -
 ALLOY CHANGED FROM 6005 T5 TO 6063 T6

| | | | | |
|---|--|----------------------|-------------|----------------|
|  SYMBOL OF QUALITY AN ISO 9001 COMPANY | JINDAL ALUMINIUM LTD. BANGALORE-560073 (INDIA) | NAME | | DATE |
| | | DRAWN | J.P.KAUSHIK | 03-07-2017 |
| 1. ALL DIMENSIONS ARE IN mm. 2. ROUND OFF ALL SHARP CORNERS WITH 0.50 mm. 3. TOLERANCES WILL BE AS PER IS:3965-1981, UNLESS OTHERWISE SPECIFIED | | CHECKED | | |
| | | APPROVED | J.N.RAI | 04-07-2017 |
| PARTY'S NAME WONJIN AUTOPARTS INDIA PVT. LTD. CHENNAI | | SCALE | | 2:1 |
| | | AREA mm ² | | 921.912 |
| PARTY'S DRAWING No. T75341B-02 | | PERIMETER mm. | | 116.739 |
| | | WEIGHT kg/m | | 2.489 |
| ALLOY & TEMPER 6063 T6 | | DRAWING No. | | SECTION No. |
| | | P-16610 | | |
| DESCRIPTION CONNECTOR FLANGE SECTION | | S5271 | | S5271(ISSUE-2) |
| | | 28431 | | 28431 |