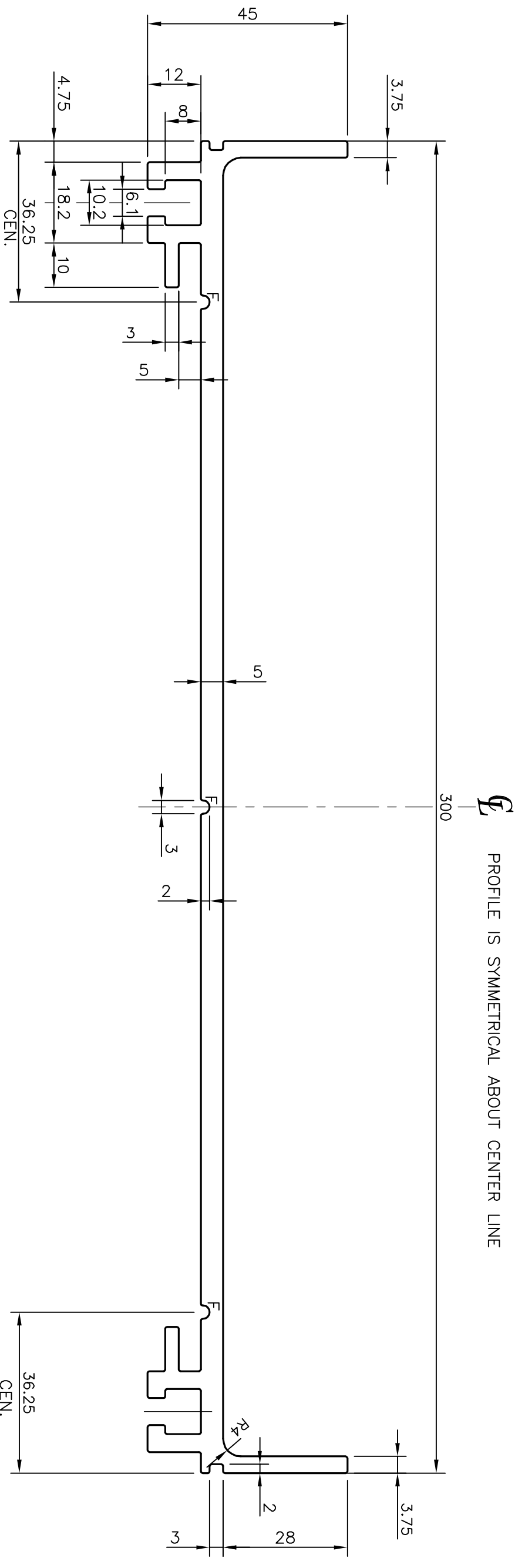


P-17239
S5423
28464



PROFILE IS SYMMETRICAL ABOUT CENTER LINE

F = FULL RADIUS (3 PLACES)

TOLERANCES ON OVERALL WIDTHS & WIDTHS ACROSS FLATS OF BARS, & REGULAR SECTIONS			
UPTO 6.40mm - ±0.20	UPTO 32.0mm - ±0.38	UPTO 120.0mm - ±0.85	UPTO 320.00mm - ±1.70
UPTO 10.0mm - ±0.23	UPTO 50.0mm - ±0.46	UPTO 160.0mm - ±1.02	
UPTO 12.0mm - ±0.25	UPTO 60.0mm - ±0.53	UPTO 200.0mm - ±1.14	
UPTO 16.0mm - ±0.28	UPTO 80.0mm - ±0.69	UPTO 250.0mm - ±1.40	
UPTO 25.0mm - ±0.30	UPTO 100.0mm - ±0.75	UPTO 300.0mm - ±1.65	

 SYMBOL OF QUALITY AN ISO 9001 COMPANY	JINDAL ALUMINIUM LTD. BANGALORE-560073 (INDIA)	
	1. ALL DIMENSIONS ARE IN mm. 2. ROUND OFF ALL SHARP CORNERS WITH 0.40 mm. 3. TOLERANCES WILL BE AS PER IS:3965-1981 UNLESS OTHERWISE SPECIFIED	DRAWN U.P. KAUSHIK 08-06-2017

PARTY'S NAME	PROMECH INDUSTRIES PVT. LTD., COIMBATORE	SCALE	1:1
PARTY'S DRAWING No.	AS PER DRAWING	AREA mm ²	1974.152
ALLOY & TEMPER	HE9 WP	PERIMETER mm.	878.176
DESCRIPTION	CHUTE PROFILE	WEIGHT kg/m	5.330
		DRAWING No.	SECTION No.
		P-17239	-
		S5423	S5423
		28464	28464