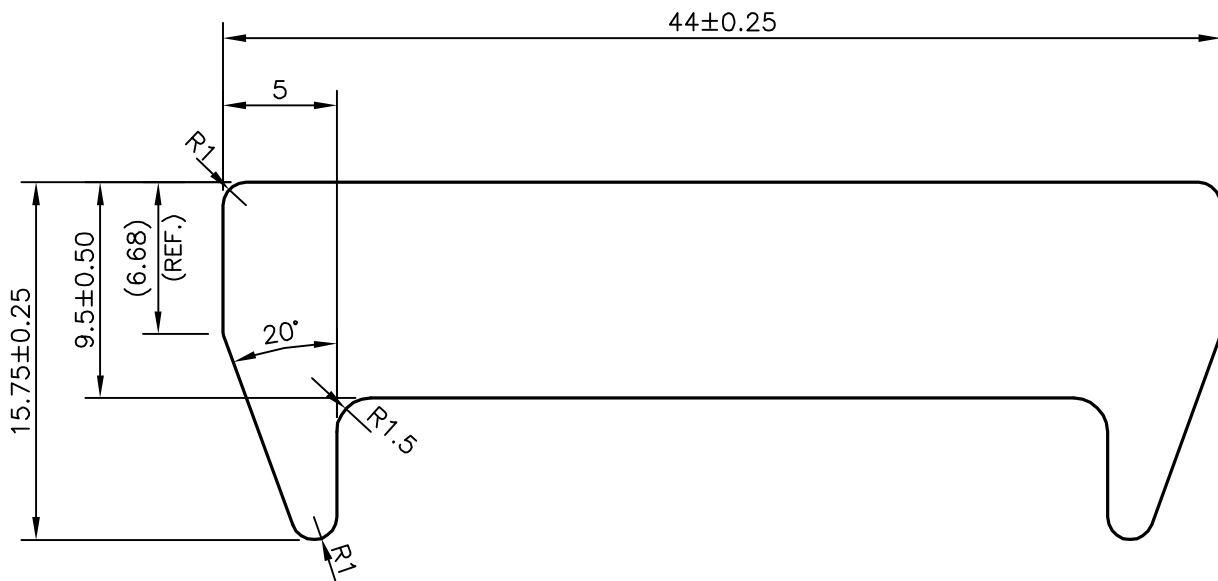
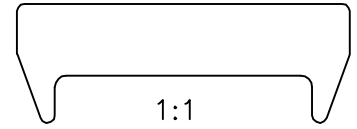


P-13294-1

S5761

28534



©- */21321(or)21324(or)21328/2091/DD
 */21321(or)21324(or)21328/2093/DD
 */21321(or)21324(or)21328/2094/DD



SYMBOL OF QUALITY
AN ISO 9001 COMPANY

JINDAL ALUMINIUM LTD.
BANGALORE-560073 (INDIA)

	NAME	DATE
DRAWN	J.P.KAUSHIK	02-01-2014
CHECKED		
APPROVED	B.NATARAJA	12-04-2018
SCALE		3:1
AREA mm ²		450.512
PERIMETER mm.		123.199
WEIGHT kg/m		1.216
DRAWING No.		SECTION No.
P-13294-1		-
S5761		S5761
28534		28534

1. ALL DIMENSIONS ARE IN mm.
2. ROUND OFF ALL SHARP CORNERS WITH 0.40 mm.
3. TOLERANCES WILL BE AS PER IS:3965-1981, UNLESS OTHERWISE SPECIFIED

PARTY'S NAME	AVASARALA TECHNOLOGIES LTD., BANGALORE
PARTY'S DRAWING No.	194-06-00308 (©)
ALLOY & TEMPER	64430 WP
DESCRIPTION	MISC. SECTION