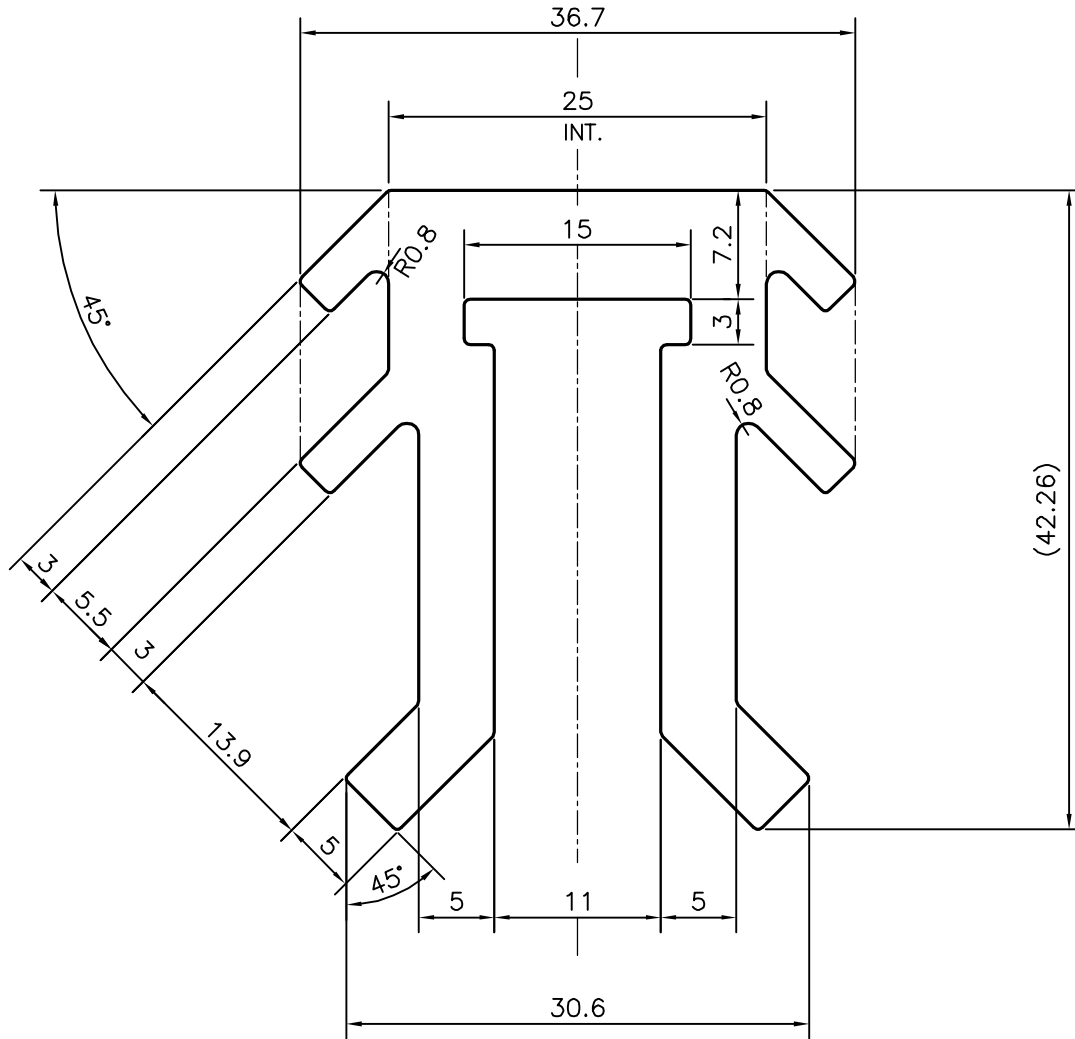
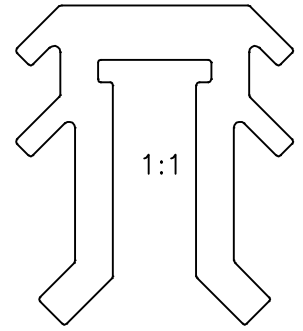


P-18141-1

S5820

28541



SYMBOL OF QUALITY  
AN ISO 9001 COMPANY

**JINDAL ALUMINIUM LTD.**  
BANGALORE-560073 (INDIA)

	NAME	DATE
DRAWN	J.P.KAUSHIK	26-04-2018
CHECKED		
APPROVED	B.NATARAJA	11-05-2018
SCALE		2:1
AREA mm <sup>2</sup>		645.311
PERIMETER mm.		261.265
WEIGHT kg/m		1.742
DRAWING No.	SECTION No.	
P-18141-1	-	
S5820	S5820	
28541	28541	

1. ALL DIMENSIONS ARE IN mm.
2. ROUND OFF ALL SHARP CORNERS WITH 0.40 mm.
3. TOLERANCES WILL BE AS PER IS:3965-1981 , UNLESS OTHERWISE SPECIFIED

PARTY'S NAME	THEJO ENGINEERING SERVICES PVT. LTD., CHENNAI
PARTY'S DRAWING No.	AS PER DRAWING
ALLOY & TEMPER	HE9 WP
DESCRIPTION	MISC. CHANNEL