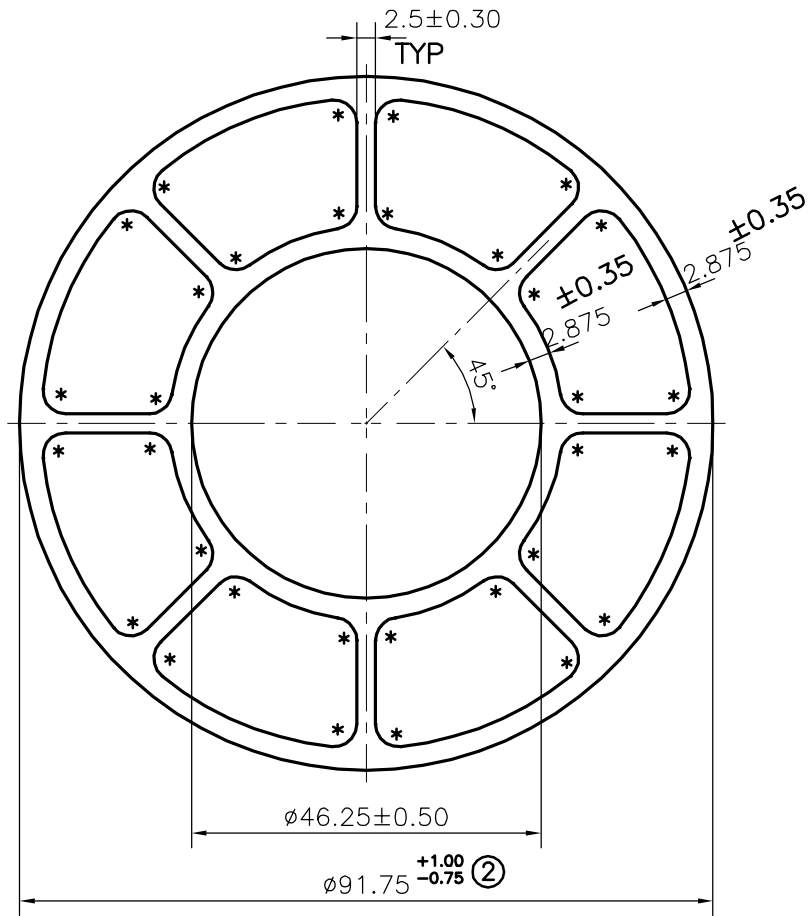


P-21393-1

28564




APPROXIMATE WEIGHT RANGE - 4.002 kg/m TO 4.892 kg/m

* = 3.0 RADIUS(32 PLACES)

ISSUE-2

TOLARANCE CHANGED ON OD $\phi 91.75$ FROM ± 0.90 TO $+1.00$ -0.75

DATED-25/11/2020

 SYMBOL OF QUALITY AN ISO 9001 COMPANY	JINDAL ALUMINIUM LTD. BANGALORE-560073 (INDIA)	NAME	DATE
		DRAWN	J.P.KAUSHIK 25/11/2020
		CHECKED	
		APPROVED	B.NATARAJA 02-12-2020
1. ALL DIMENSIONS ARE IN mm. 2. ROUND OFF ALL SHARP CORNERS WITH 0.40 mm. 3. TOLERANCES WILL BE AS PER IS:6477-1983 , UNLESS OTHERWISE SPECIFIED		SCALE	1:1
		AREA mm ²	1647.15
		PERIMETER mm.	288.241
		WEIGHT kg/m	4.447
PARTY'S NAME	FALCON PUMPS, AHMEDABAD	DRAWING No.	SECTION No.
PARTY'S DRAWING No.	AS PER DRAWING	P-21393-1	-
ALLOY & TEMPER	6063 T6	28564	28564(ISSUE-2)
DESCRIPTION	MISC. TUBE		