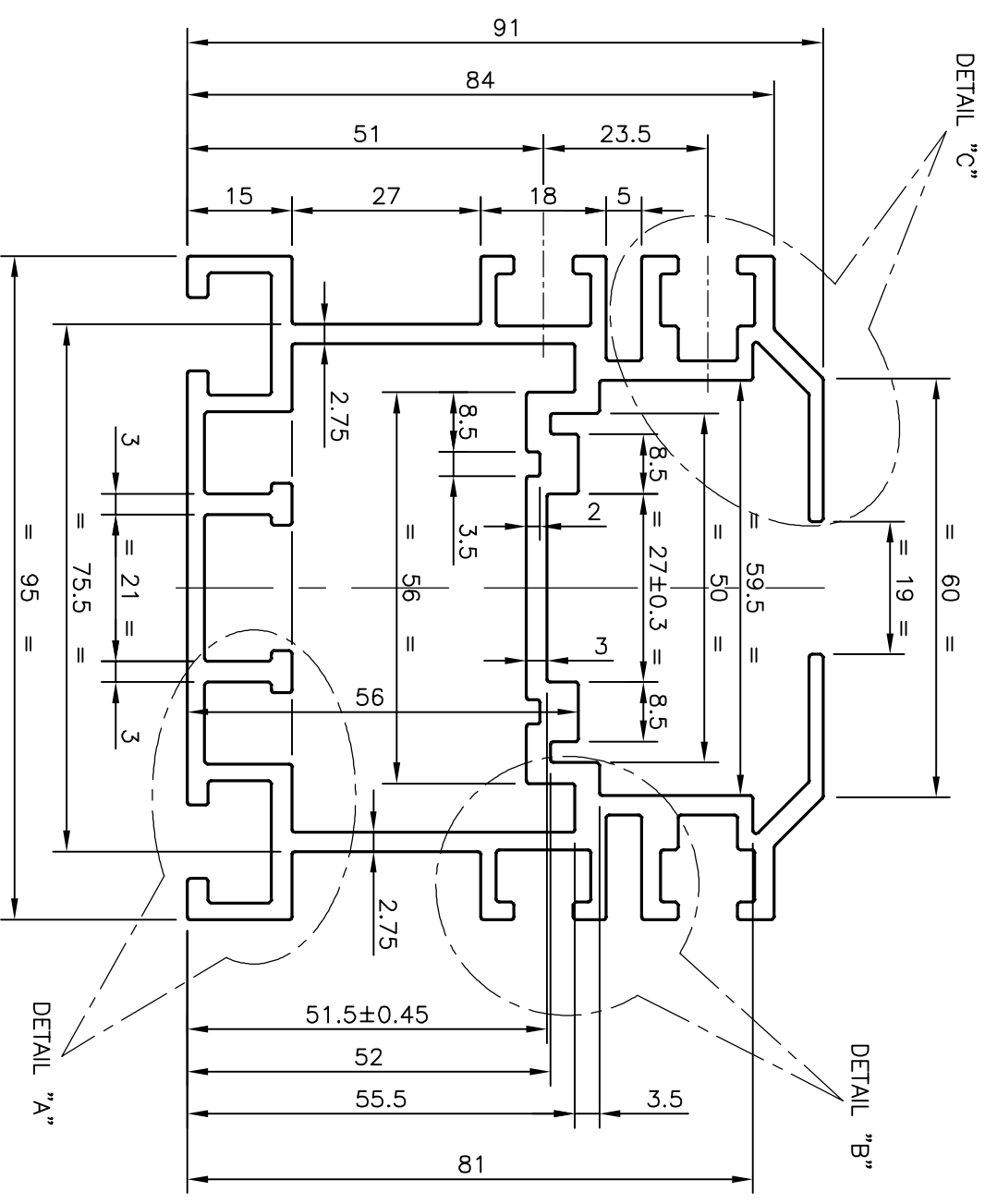
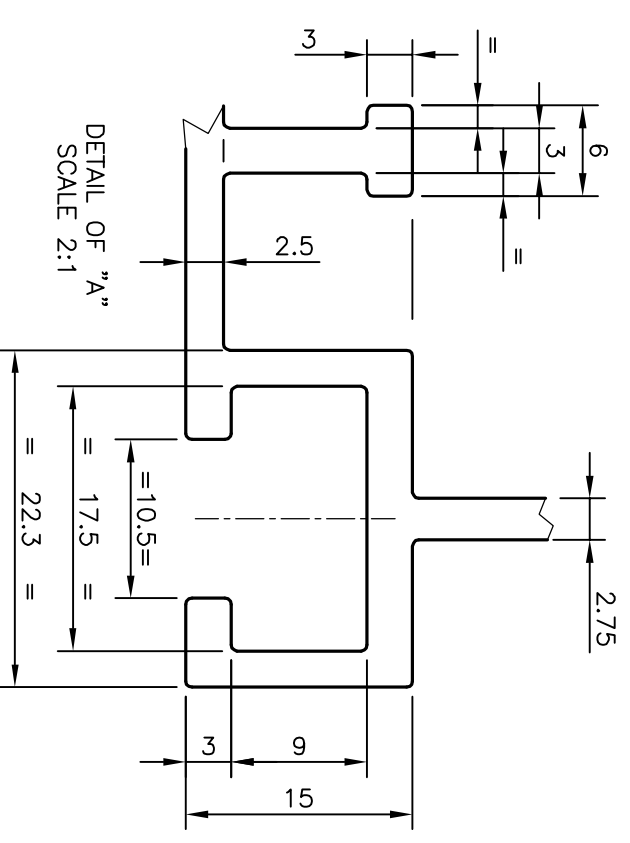
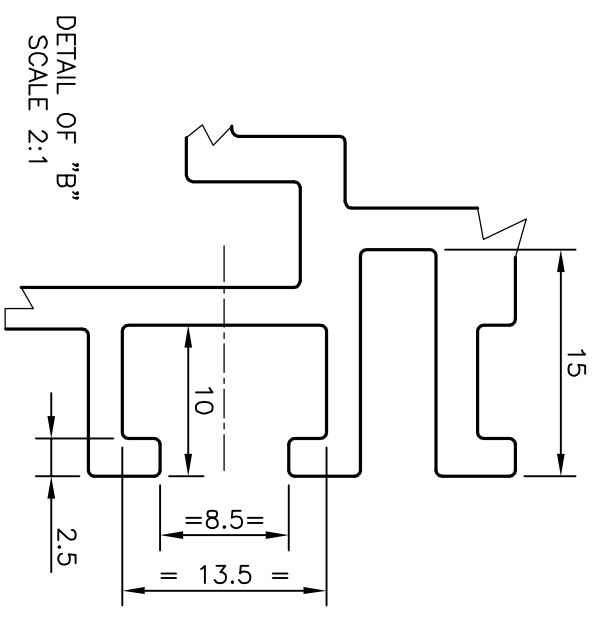
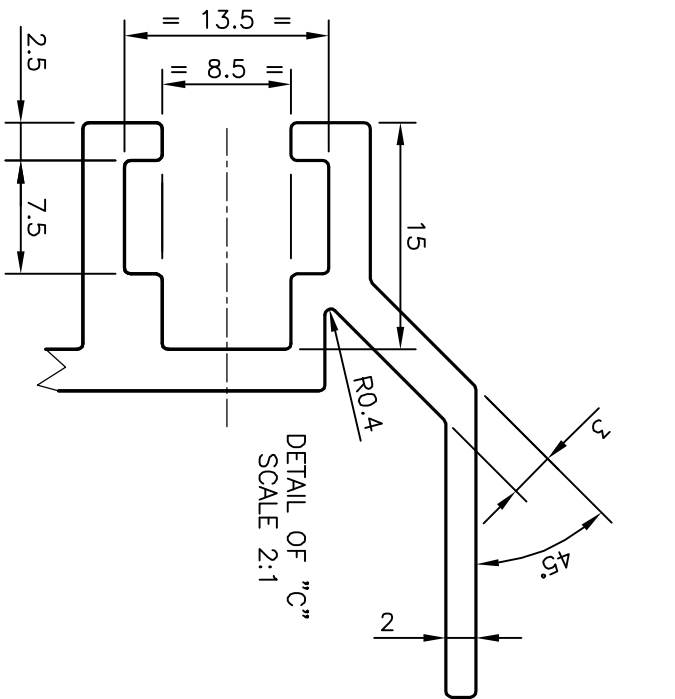



P-14028-1  
S4262  
28674



 SYMBOL OF QUALITY AN ISO 9001 COMPANY		<b>JINDAL ALUMINIUM LTD.</b> BANGALORE-560073 (INDIA)		DRAWN	NAME	DATE
				CHECKED	RAGHAVENDRA	09-10-2014
1. ALL DIMENSIONS ARE IN mm. 2. ROUND OFF ALL SHARP CORNERS WITH 0.40 mm. 3. TOLERANCES WILL BE AS PER IS:6477-1983 UNLESS OTHERWISE SPECIFIED		PARTY'S NAME WEVIN PVT. LTD., BANGALORE		APPROVED	S.S.GARG	10-10-2014
				SCALE	1:1	
PARTY'S DRAWING No. AS PER AutocAD DRAWING & REQUIREMENT		AREA mm <sup>2</sup> 1675.147		PERIMETER	mm.	850.893
				WEIGHT	kg/m	4.523
PART'S TEMPER 6063 T6		DRAWING No. P-14028-1		SECTION No. -		
DESCRIPTION CONVEYOR SECTION		S4262 28674		S4262 28674		