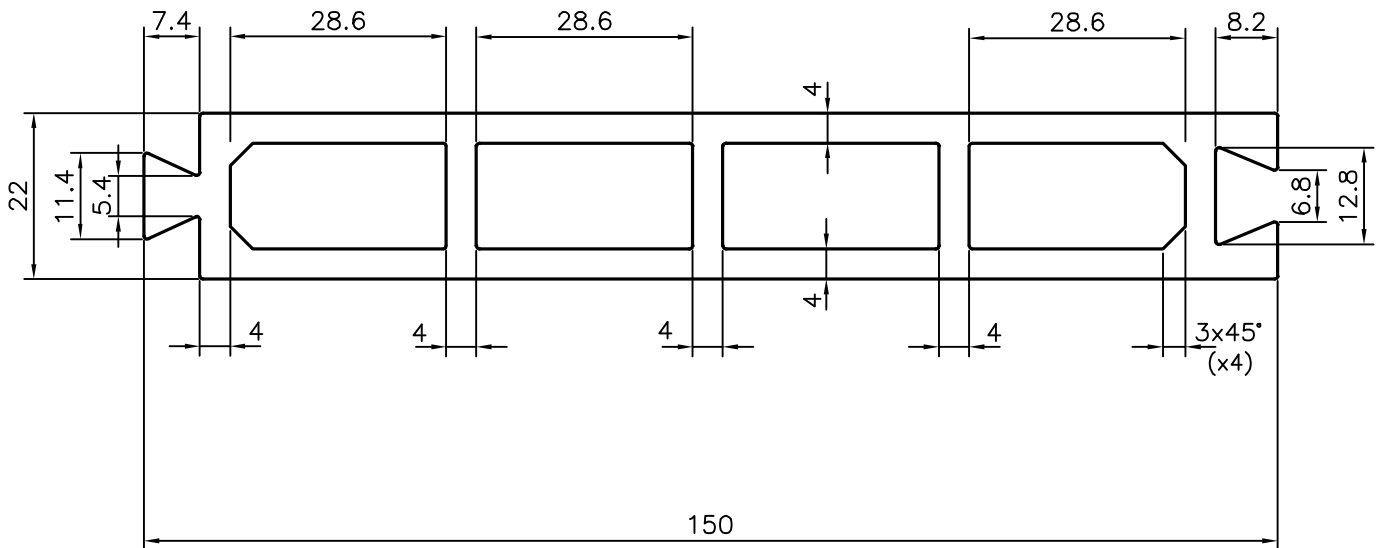
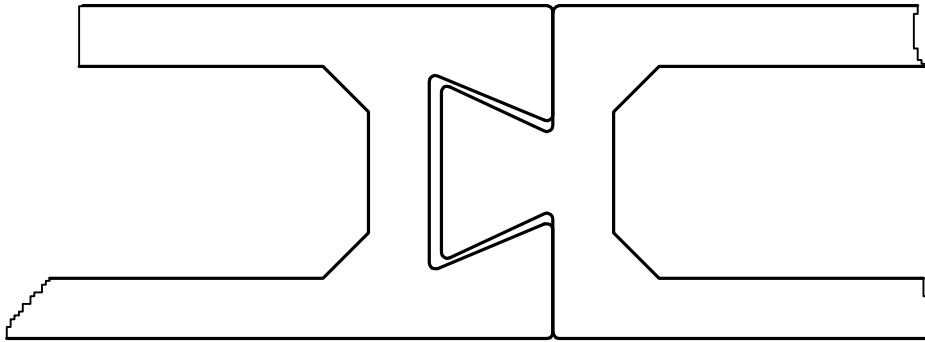


8560

28719



ISSUE-2 :-

3x45° CHAMFER ADDED IN MANDREL(4 PLACES)

WEIGHT ALSO CHANGED FROM 4.098 kg/m TO 4.146 kg/m



SYMBOL OF QUALITY
AN ISO 9001 COMPANY

JINDAL ALUMINIUM LTD.
BANGALORE-560073 (INDIA)

	NAME	DATE
DRAWN	J.P.KAUSHIK	20-01-2015
CHECKED		
APPROVED	S.S.GARG	09-05-2015
SCALE		1:1
AREA mm ²		1535.675
PERIMETER mm.		372.846
WEIGHT kg/m		4.146
DRAWING No.	SECTION No.	
8560	8560	
28719	28719(ISSUE-2)	

1. ALL DIMENSIONS ARE IN mm.
2. ROUND OFF ALL SHARP CORNERS WITH 0.40 mm.
3. TOLERANCES WILL BE AS PER IS:6477-1983, UNLESS OTHERWISE SPECIFIED

PARTY'S NAME	BOMBAY AMMONIA(MADRAS) PVT.LTD., MADRAS
PARTY'S DRAWING No.	-
ALLOY & TEMPER	HE9 WP
DESCRIPTION	MISC. SECTION