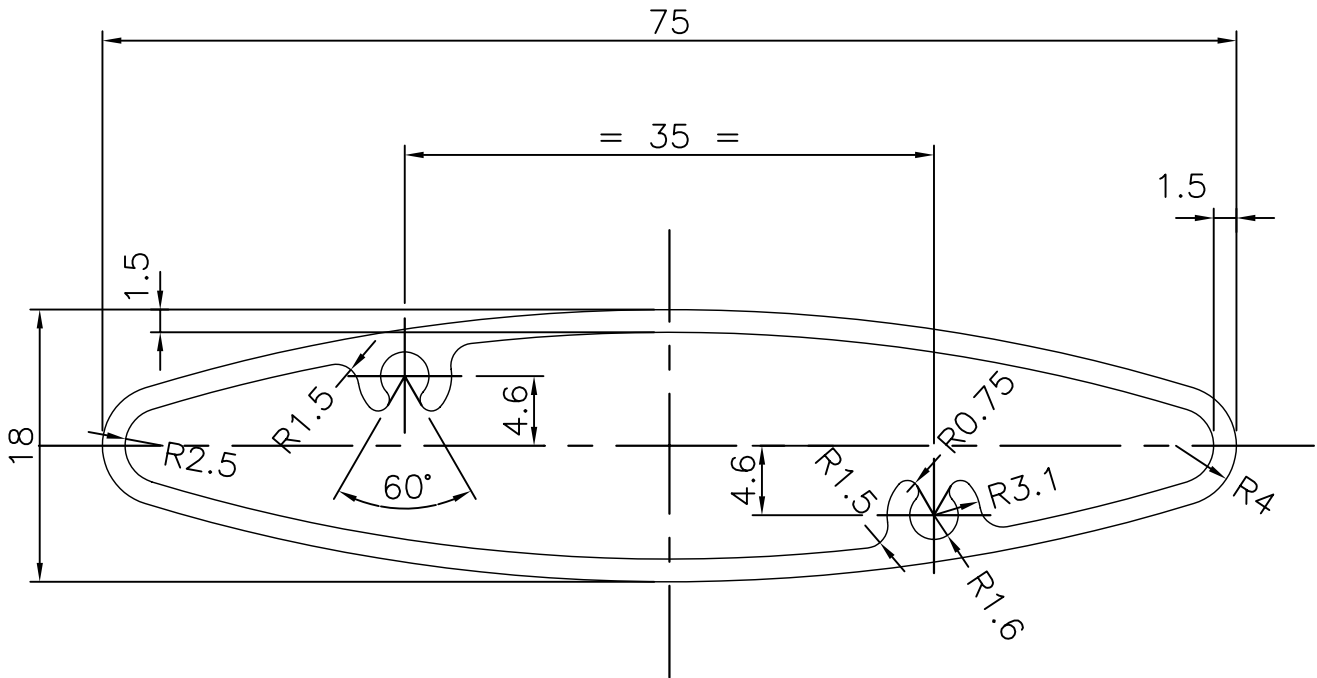
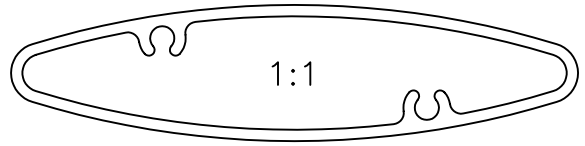


P-5342

28802



SYMBOL OF QUALITY
AN ISO 9001 COMPANY

JINDAL ALUMINIUM LTD.
BANGALORE-560073 (INDIA)

	NAME	DATE
DRAWN	MALINGAPPA	28.02.2005
CHECKED		
APPROVED		

1. ALL DIMENSIONS ARE IN mm.
2. ROUND OFF ALL SHARP CORNERS WITH 0.40 mm.
3. TOLERANCES WILL BE AS PER IS: 6477-1983 UNLESS OTHERWISE SPECIFIED

SCALE	2:1
AREA mm ²	261.654
PERIMETER mm.	161.114
WEIGHT kg/m	0.706

PARTY'S NAME	GENERAL CATEGORY, BANGALORE	DRAWING No.	P-5342	SECTION No.	-
PARTY'S DRAWING No.	AS PER DRAWING		28802		28802
ALLOY & TEMPER	HE9 WP				
DESCRIPTION	MISCELLANEOUS HOLLOW				