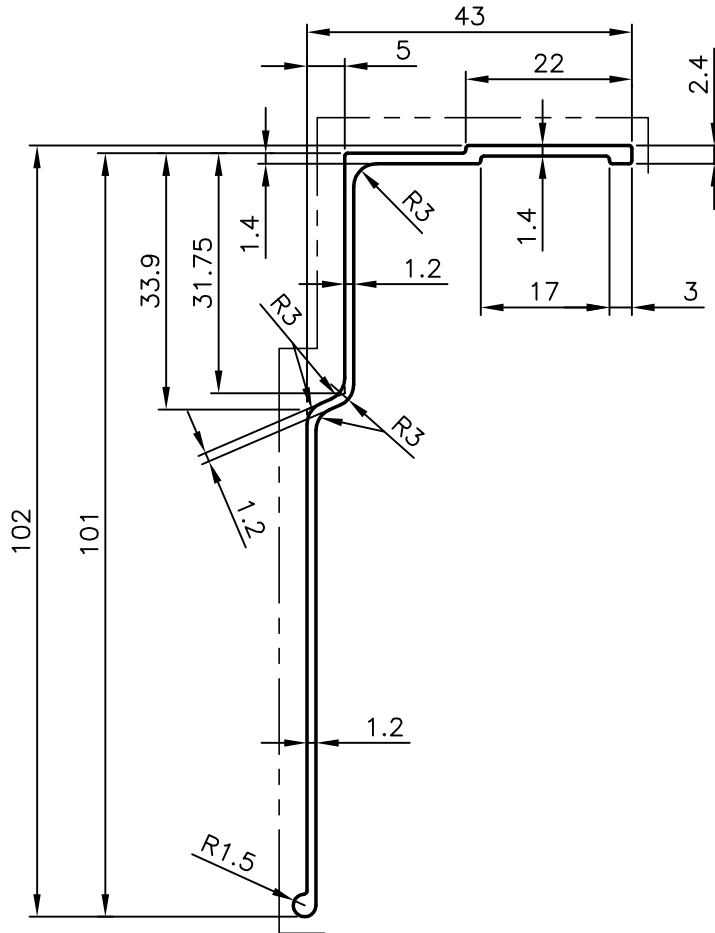


P-5690

28809



--- DENOTES VISIBLE SURFACE



SYMBOL OF QUALITY
AN ISO 9001 COMPANY

JINDAL ALUMINIUM LTD.
BANGALORE-560073 (INDIA)

	NAME	DATE
DRAWN	MALINGAPPA	17-07-2005
CHECKED		
APPROVED		
SCALE		1:1
AREA mm ²		187.484
PERIMETER mm.		285.424
WEIGHT kg/m		0.506
DRAWING No.	SECTION No.	
P-5690	-	
28809	28809	

1. ALL DIMENSIONS ARE IN mm.
2. ROUND OFF ALL SHARP CORNERS WITH 0.40 mm.
3. TOLERANCES WILL BE AS PER BS:1474-1987 UNLESS OTHERWISE SPECIFIED

PARTY'S NAME	MEDIA PROJECT, U.K.
PARTY'S DRAWING No.	AS PER DRAWING - 1391
ALLOY & TEMPER	6063 T6
DESCRIPTION	MISCELLANEOUS SECTION