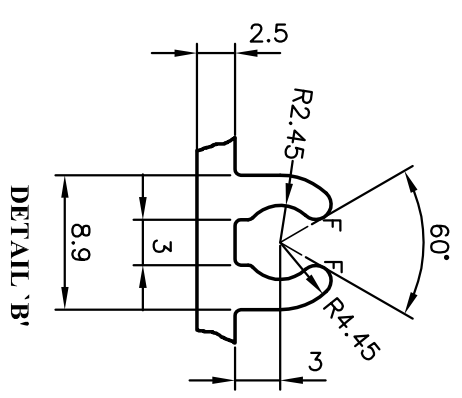
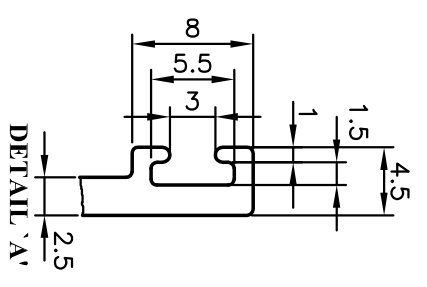


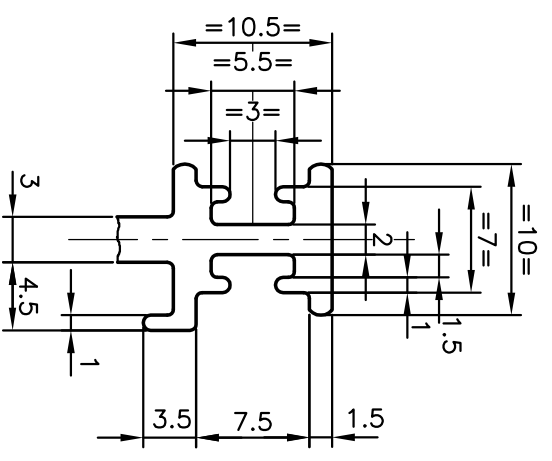
DETAIL-D
SCALE:-2:1



DETAIL 'B'




DETAIL 'A'



DETAIL 'C'

F = FULL RADIUS X 15 (PLACE)

 SYMBOL OF QUALITY AN ISO 9001 COMPANY		JINDAL ALUMINIUM LTD. BANGALORE-560073 (INDIA)		NAME	DATE	
				DRAWN	J.P. KAUSHIK	01-06-2006
1. ALL DIMENSIONS ARE IN mm. 2. ROUND OFF ALL SHARP CORNERS WITH 0.40 mm. 3. TOLERANCES WILL BE AS PER IS:6477-1983 UNLESS OTHERWISE SPECIFIED		SCALE	1:1	AREA	1223.916	
PARTY'S NAME		GWS FABRICATORS PVT.LTD., MUMBAI	PERIMETER	588.641	WEIGHT	3.305
PARTY'S DRAWING No.		GWS-UTG-115	DRAWING No.	P-6434-1	SECTION No.	-
ALLOY & TEMPER		6063 T6		S1764		S1764
DESCRIPTION		GUTTER SECTION		28855		28855