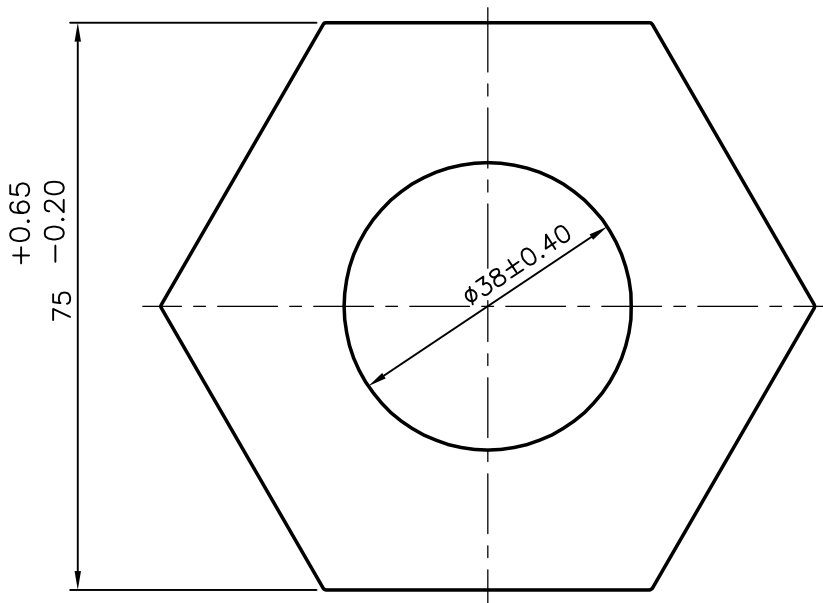


P-6114-1

S1689

28856



SYMBOL OF QUALITY  
AN ISO 9001 COMPANY

**JINDAL ALUMINIUM LTD.**  
*BANGALORE-560073 (INDIA)*

	NAME	DATE
DRAWN	MALINGAPPA	13-01-2006
CHECKED		
APPROVED		

1. ALL DIMENSIONS ARE IN mm.
2. ROUND OFF ALL SHARP CORNERS WITH 0.40 mm.
3. TOLERANCES WILL BE AS PER IS:6477-1983 UNLESS OTHERWISE SPECIFIED

SCALE	1:1
AREA mm <sup>2</sup>	3737.226
PERIMETER mm.	259.55
WEIGHT kg/m	10.091

PARTY'S NAME	BRITISH ENGINES (INDIA) PVT. LTD., BANGALORE	DRAWING No.	P-6114-1	SECTION No.	-
PARTY'S DRAWING No.	AS PER SPECIFICATION	S1689	S1689	28856	28856
ALLOY & TEMPER	6082 T6				
DESCRIPTION	HEXAGONAL TUBE				