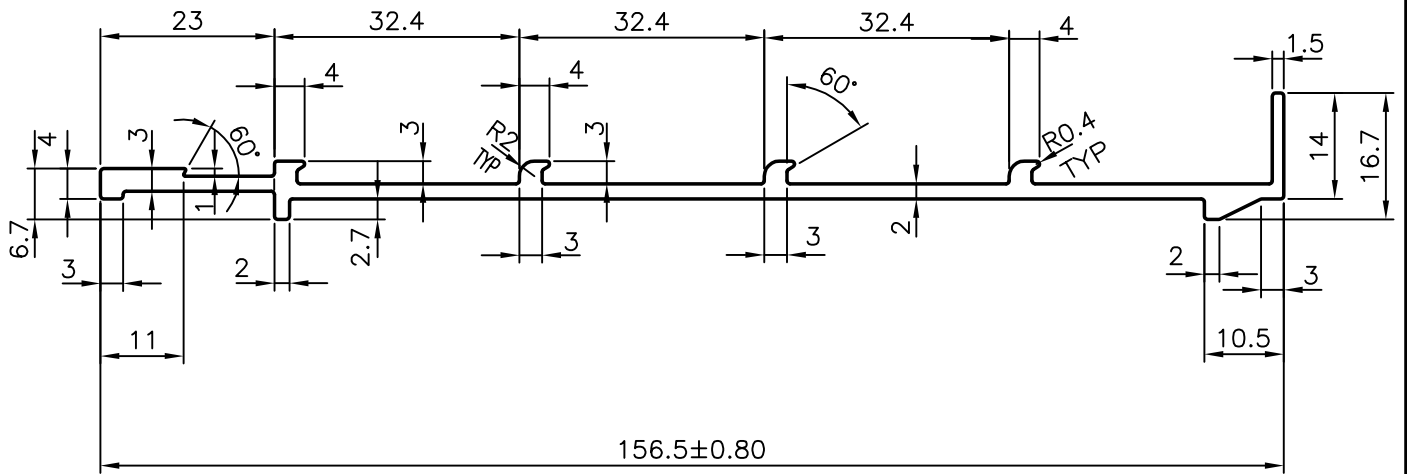



P-6383-1
S1785
28952



 SYMBOL OF QUALITY AN ISO 9001 COMPANY	JINDAL ALUMINIUM LTD. BANGALORE-560073 (INDIA)	DRAWN	J.P.KAUSHIK	DATE	30-05-2006	
		CHECKED				
		APPROVED				
1. ALL DIMENSIONS ARE IN mm. 2. ROUND OFF ALL SHARP CORNERS WITH 0.40 mm. 3. TOLERANCES WILL BE AS PER IS:3965-1981 UNLESS OTHERWISE SPECIFIED		SCALE		1:1		
		AREA mm ²		400.436		
		PERIMETER mm.		376.659		
PARTY'S NAME		AIR LIQUIDE ENGINEERING LTD.,HYDERABAD		WEIGHT kg/m		1.081
				DRAWING No.	SECTION No.	
PARTY'S DRAWING No.		A4-300-401/0		P-6383-1		-
				S1785		S1785
ALLOY & TEMPER		6060 T5		28952		28952
DESCRIPTION		AIR GRILL				