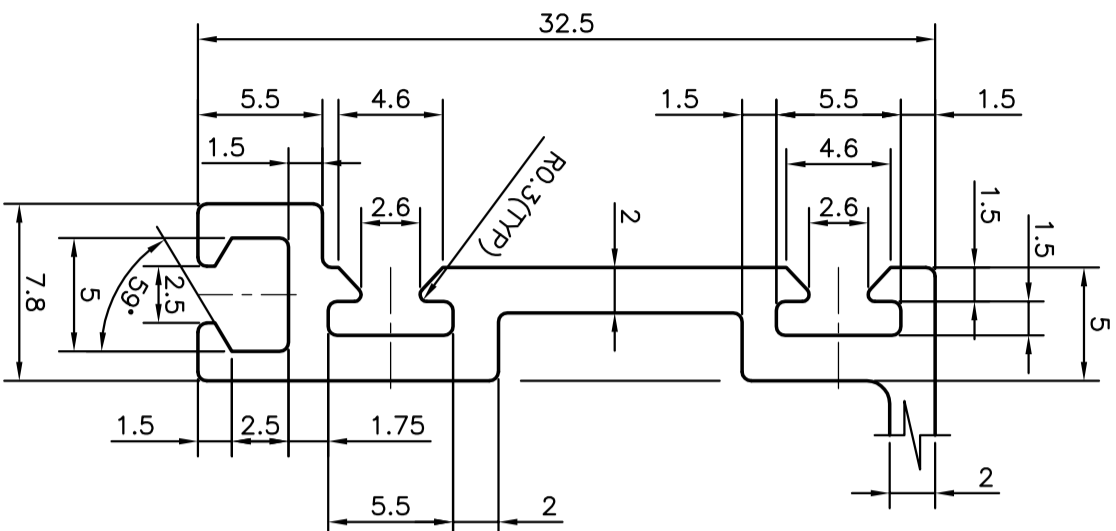


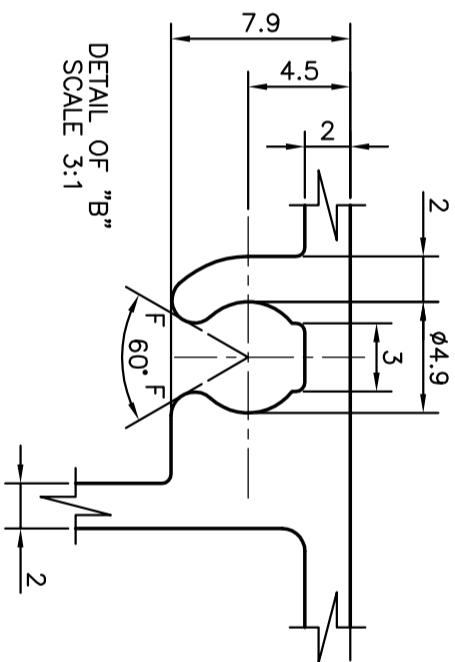
P-7585-1

29024

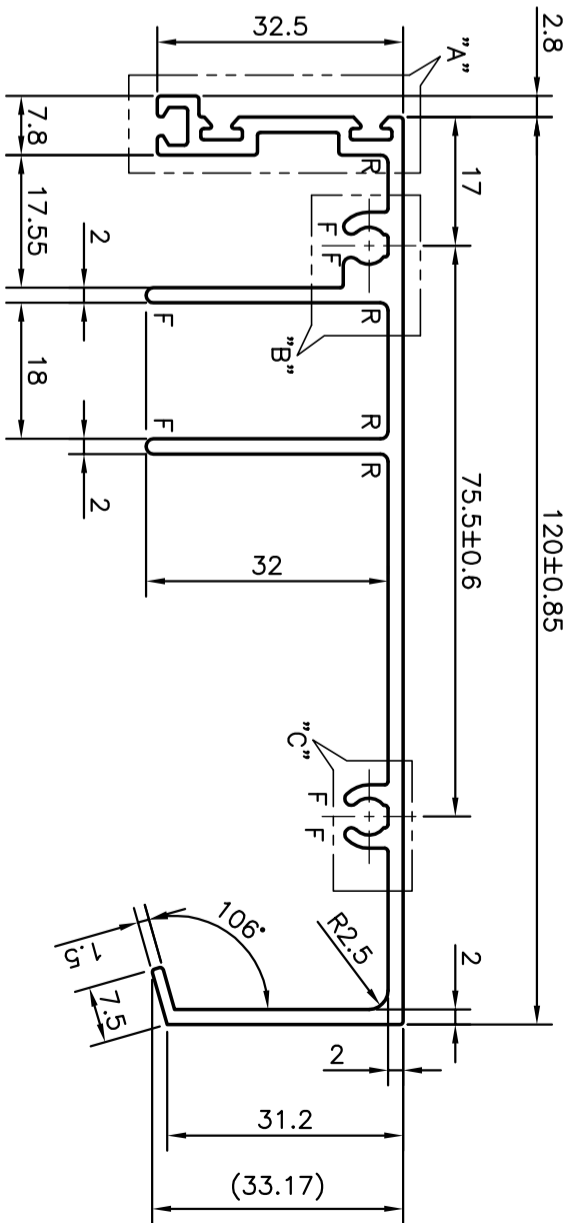
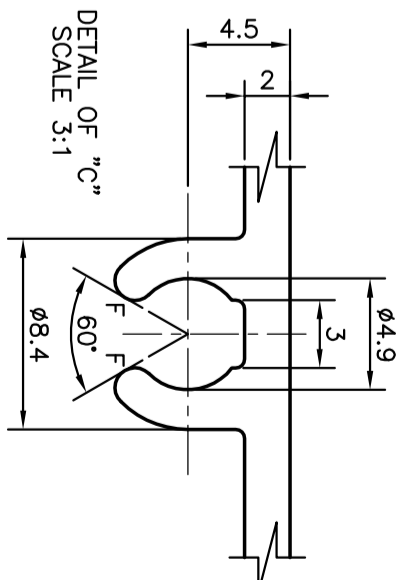
DETAIL OF "A"
SCALE 3:1




DETAIL OF "B"
SCALE 3:1



DETAIL OF "C"
SCALE 3:1



F = FULL RADIUS (6 PLACES)
R = R1.00 mm (4 PLACES)
UNSPECIFIED TOLERANCE TO BE ±0.35 mm

 <p>JINDAL ALUMINIUM LTD. BANGALORE-560073 (INDIA)</p>		NAME	DATE
		DRAWN PRASANN. H	25-10-2007
<p>1. ALL DIMENSIONS ARE IN mm. 2. ROUND OFF ALL SHARP CORNERS WITH 0.40 mm. 3. TOLERANCES WILL BE AS PER IS:3965-1981 UNLESS OTHERWISE SPECIFIED</p>		CHECKED	
		APPROVED	
PARTY'S NAME	GLASS WALL SYSTEMS, MUMBAI	SCALE	1:1
PARTY'S DRAWING No.	GWS/P/GWS/D4	AREA mm ²	585.341
ALLOY & TEMPER	HE9 WP	PERIMETER mm.	569.207
DESCRIPTION	ST. GLAZING SILL SECTION	WEIGHT kg/m	1.580
		DRAWING No.	SECTION No.
		P-7585-1	-
		29024	29024