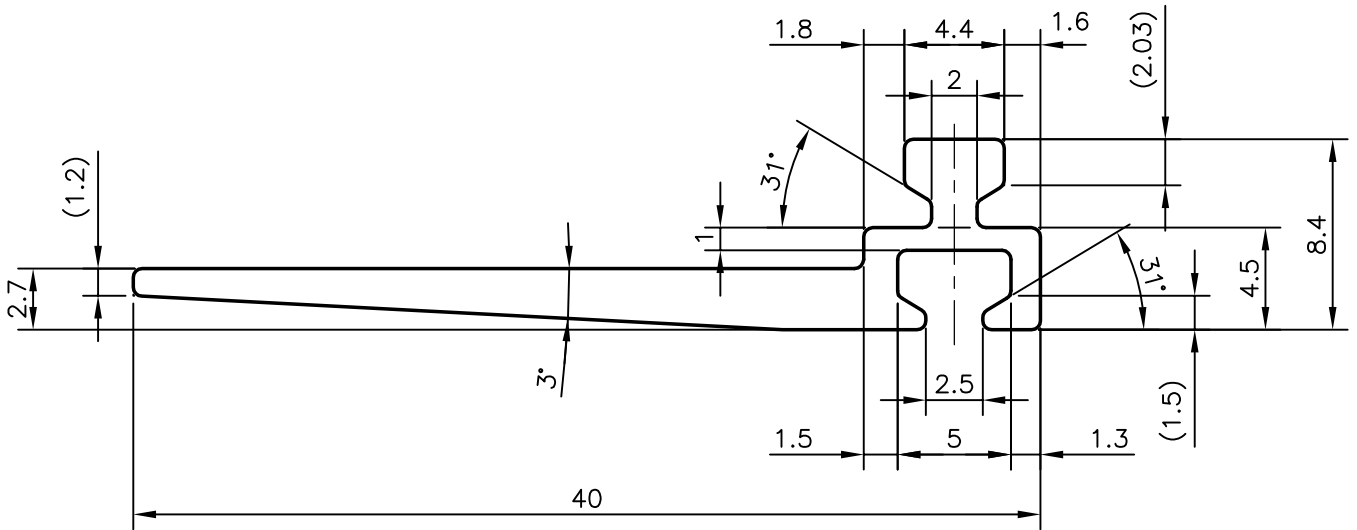


P-7623

29038

SCALE 1:1



SYMBOL OF QUALITY  
AN ISO 9001 COMPANY

**JINDAL ALUMINIUM LTD.**  
BANGALORE-560073 (INDIA)

	NAME	DATE
DRAWN	PRASANN.H	03-11-2007
CHECKED		
APPROVED		

1. ALL DIMENSIONS ARE IN mm.
2. ROUND OFF ALL SHARP CORNERS WITH 0.40 mm.
3. TOLERANCES WILL BE AS PER IS:3965-1981 UNLESS OTHERWISE SPECIFIED

SCALE	3:1
AREA mm <sup>2</sup>	99.288
PERIMETER mm.	107.303
WEIGHT kg/m	0.268

PARTY'S NAME GLASS WALL SYSTEMS, MUMBAI

PARTY'S DRAWING No. GWS/P/RN/D7

ALLOY & TEMPER HE9 WP

DESCRIPTION MISC. SECTION

DRAWING No.	SECTION No.
P-7623	-
29038	29038