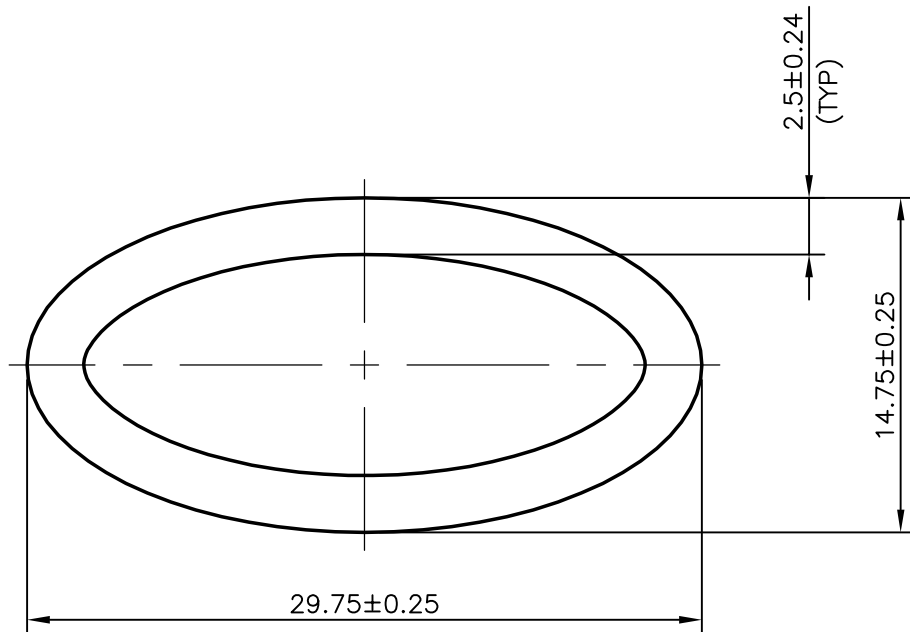


P-7656-1

29050

SCALE 1:1



SYMBOL OF QUALITY
AN ISO 9001 COMPANY

JINDAL ALUMINIUM LTD.
BANGALORE-560073 (INDIA)

	NAME	DATE
DRAWN	PRASANN.H	03-12-2007
CHECKED		
APPROVED		

1. ALL DIMENSIONS ARE IN mm.
2. ROUND OFF ALL SHARP CORNERS WITH 0.40 mm.
3. TOLERANCES WILL BE AS PER IS:6477-1983 UNLESS OTHERWISE SPECIFIED

SCALE	3:1
AREA mm ²	160.127
PERIMETER mm.	71.901
WEIGHT kg/m	0.432

PARTY'S NAME	MAINI MATERIALS MOVEMENT PVT. LTD., BANGALORE
PARTY'S DRAWING No.	MD-3188-027/1
ALLOY & TEMPER	HE9 WP
DESCRIPTION	OVAL TUBE

DRAWING No.	SECTION No.
P-7656-1	-
29050	29050